

Muli-Mini duo

Product information for the product group

ACO Product benefits

- Ready to connect
- Ergonomic carrying handles
- Different inlet heights can be selected
- High usable volume – up to 140 l
- All components with high chemical stability
- Suitable for installation downstream of grease separators up to NS 4
- Pump can be dismantled without tools
- Designed to fit through narrow doorways 700 mm
- Low weight

■ Areas of application

- Downstream of grease separators up to NS 4
- Laundries
- Rows of showers
- Basement areas

■ Polyethylene tank

- Scour outlet R 1"
- Service opening for simple maintenance, diameter: 340 mm
- Fixing kit for attachment against floating
- Connector for hand membrane pump DN 50
- 4 horizontal intake sockets DN 100
- 1 vertical inlet nozzle DN 100
- Optionally 1 vertical inlet nozzle DN 50 (accessory)
- 1 ventilation socket DN 70

■ Connection pressure line

- Special backflow stop with ball in housing
- With venting and fixing screw
- Connection: Rp 2"

■ 2 grey water underwater pumps

- With 3-phase submerged motor pump: 400 V, 50 Hz – Version D
- With A.C. submerged motor pump: 230 V, 50 Hz – Version W
- IP 68 protection
- With blockage-free free flow impeller
- 10 m mains cable

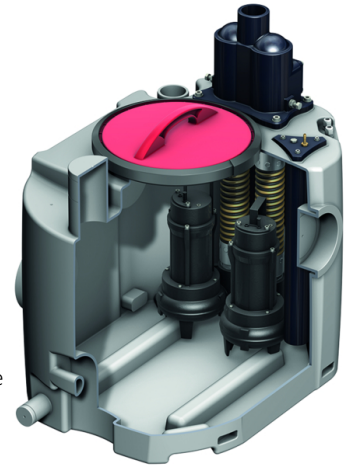
■ Level switching

- Pneumatic level switching with 10 m control lines
- Optionally with air bubble injection for increased operational security when installing downstream of grease separators (accessory)

■ Controls

- IP 54 protection
- 1.5 m cable and EEC plug (16 A) – version D
- 1.5 m cable and safety plug (16 A) – version W
- Potential-free collective fault message and operating signal

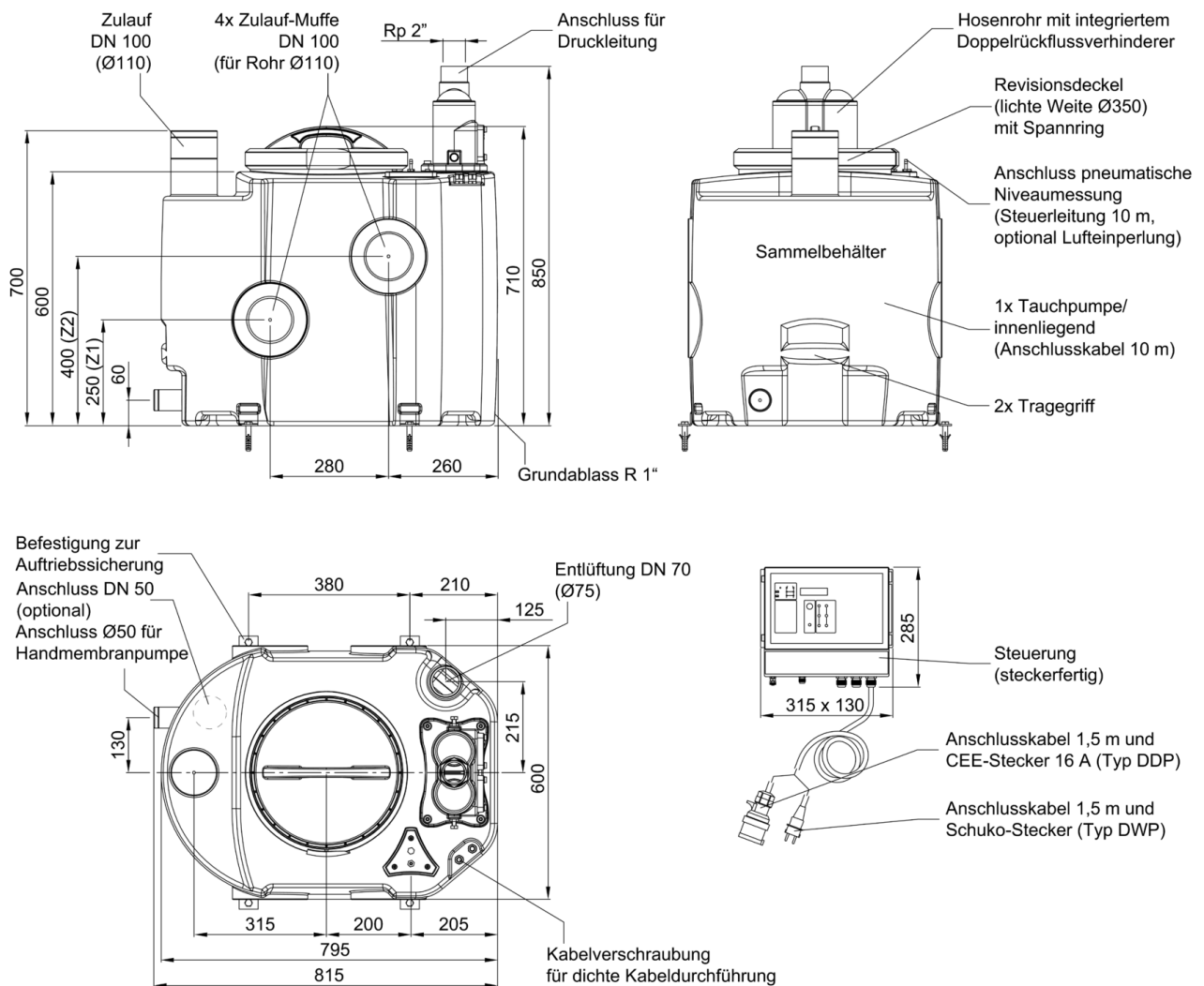
■ Tested to DIN EN 12050-2



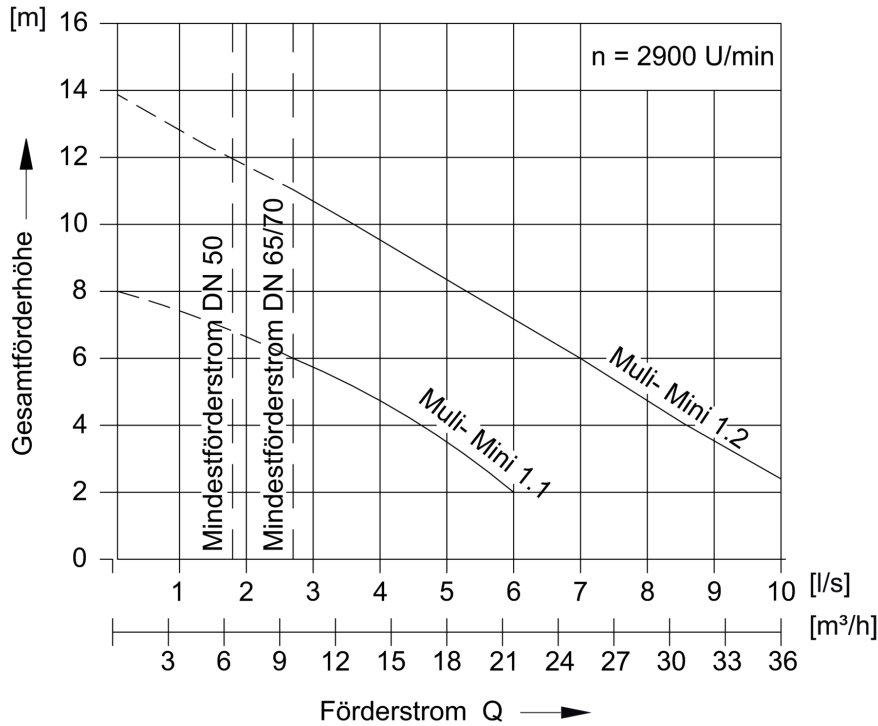
Item Technical Data 1206.00.03

Type	Motor power		Pow- er con- sumption	Voltage	Rev count	Parti- cal size	Usable volume			Total volume	Weight
	P1	P2					Inlet height Z1	Inlet height Z2	Top inlet		
	[kW]	[kW]	[A]	[V]	[r/min]	[mm]	[l]	[l]	[l]	[l]	[kg]
Muli- Mini DWP 1.1	0.8	0.55	3.6	230	2900	40	55	100	130	195	62

Dimensions

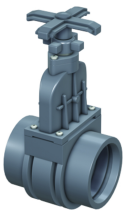



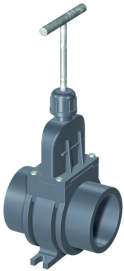

Performance parameters



Type	Delivery head [m]	Delivery flow Q with overall delivery head H			Media temperature	
		2 m [l/s]	4 m [l/s]	6 m [l/s]	Normal [°C]	Maximum [°C]
Muli-Mini DWP 1.1	2 – 7	6.0	4.5	2.75	40	65

Accessories

Description	Used with	Weight	PU	Item number
		[kg]	[piece]	
 <p>Inlet valve DN 100</p> <ul style="list-style-type: none"> Made of PVC 110 mm push socket on both sides with rim sealing ring Overall dimensions: 176 x 330 mm (L x H) 	<ul style="list-style-type: none"> Wastewater lifting plant Polyethylene grease separator Polyethylene starch separator Upstream tank plant <ul style="list-style-type: none"> Typ 2 and 4 LipuMobil-P – Type 0.5 	3.1	1	0175.13.84
 <p>Inlet valve DN 100</p> <ul style="list-style-type: none"> Made out of PVC Spigot Ø110 on both sides for sleeveless pipe systems made of cast iron or plastic Total dimensions: 176 x 360 mm (L x H) 	<ul style="list-style-type: none"> Grease separator made of polyethylene Starch separator made of polyethylene Upstream tank systems type 2 and 4 LipuMobil – type 0.5 	5.9		0175.31.87

Description	Used with	Weight	PU	Item number
		[kg]	[piece]	
 <p>Inlet valve DN 50</p> <ul style="list-style-type: none"> ■ Made of PVC ■ DN 50 ■ With sealing ring as per DIN EN 19538 	<ul style="list-style-type: none"> ■ LipuMobil-P 0,8 ■ Multi-Mini 	0.4		0175.18.33
 <p>Connection ports</p> <ul style="list-style-type: none"> ■ DN 50 ■ Duct Type A 40 x 50 x R 1 3/4" ■ Minimum height: 250 mm 	<ul style="list-style-type: none"> ■ Multi-Mini mono/duo 			0175.09.27

You can find further accessories under → <https://www.buildingdrainage.aco/suche/?q=1206.00.03>