

VENTILATION OF SEPARATION PART  
DN110


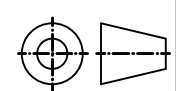
CLOSING VALVE

VENTILATION OF PUMPING CHAMBER

PUMPS

OUTLET  
DN50

control unit (mounting on left or right side of the unit or on nearby wall)

Material <b>PE</b>		Mass <b>N/A</b>		 <b>ACO Industries Tábor s.r.o.</b> Průmyslová 1158    Tel.: 381474600 391 02 Sezimovo Ústí    Fax: 381632550 www.aco-industries.cz	
Tolerance TKV_06: PE/PP/PVC/PVDF TKV_03: GRP		Tolerance for welding			
Created by	Date 2.10.2020	Name ojahodnik	Scale <b>1 : 15</b>	 Projection: ISO-E	The reproduction, distribution and utilization of this document as well as the communication of its contents to others without express authorization is prohibited.
Reviewed by					
Update	26.1.2021	ojahodnik			
Oleolift P Freestanding NS6/1200				Drawing NO. <b>418605_P211</b>	
DUO PUMPS - Total pumping head 5-10m				Index	
418605.P211				List: 1 / 1	
				A3	