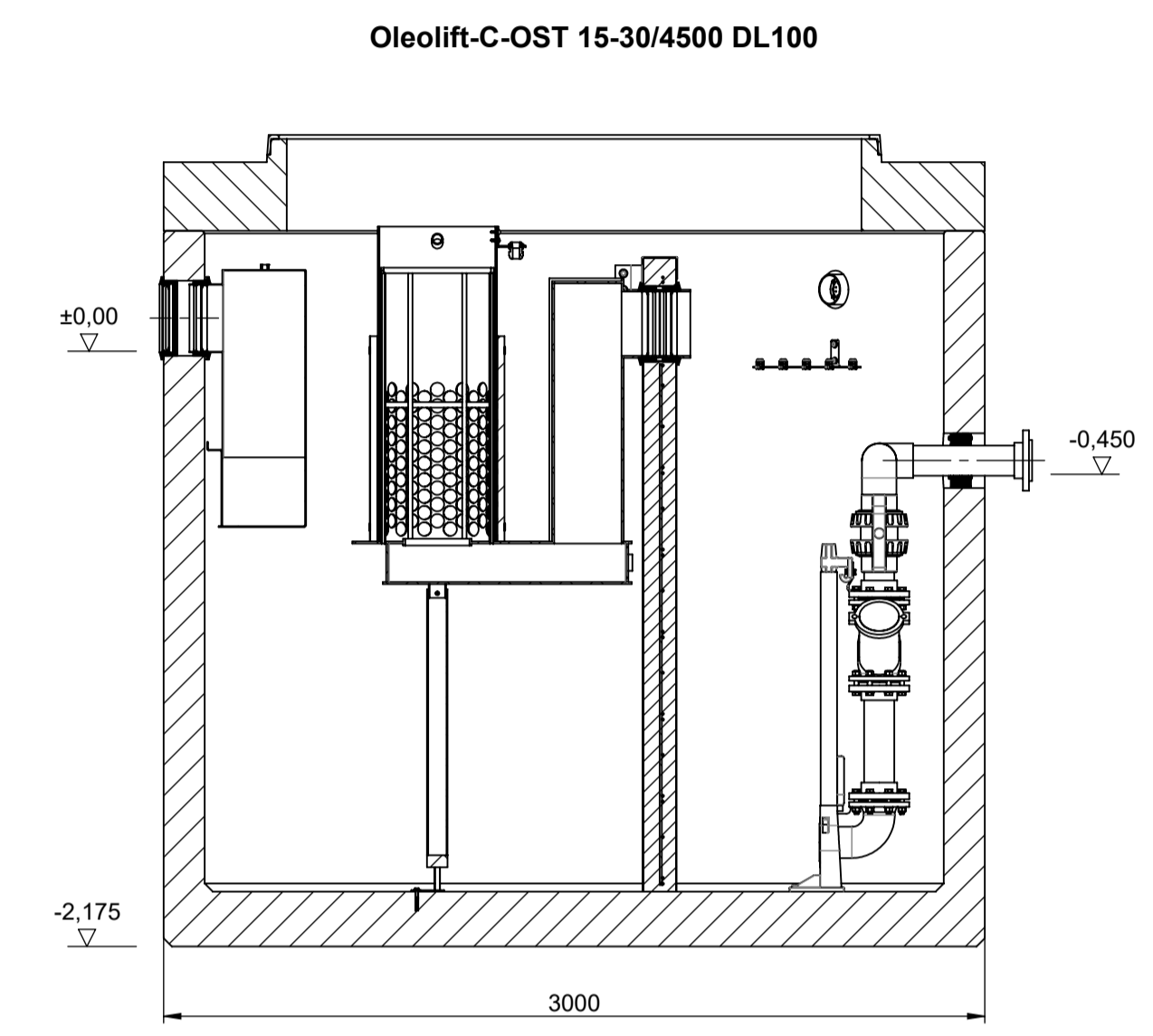
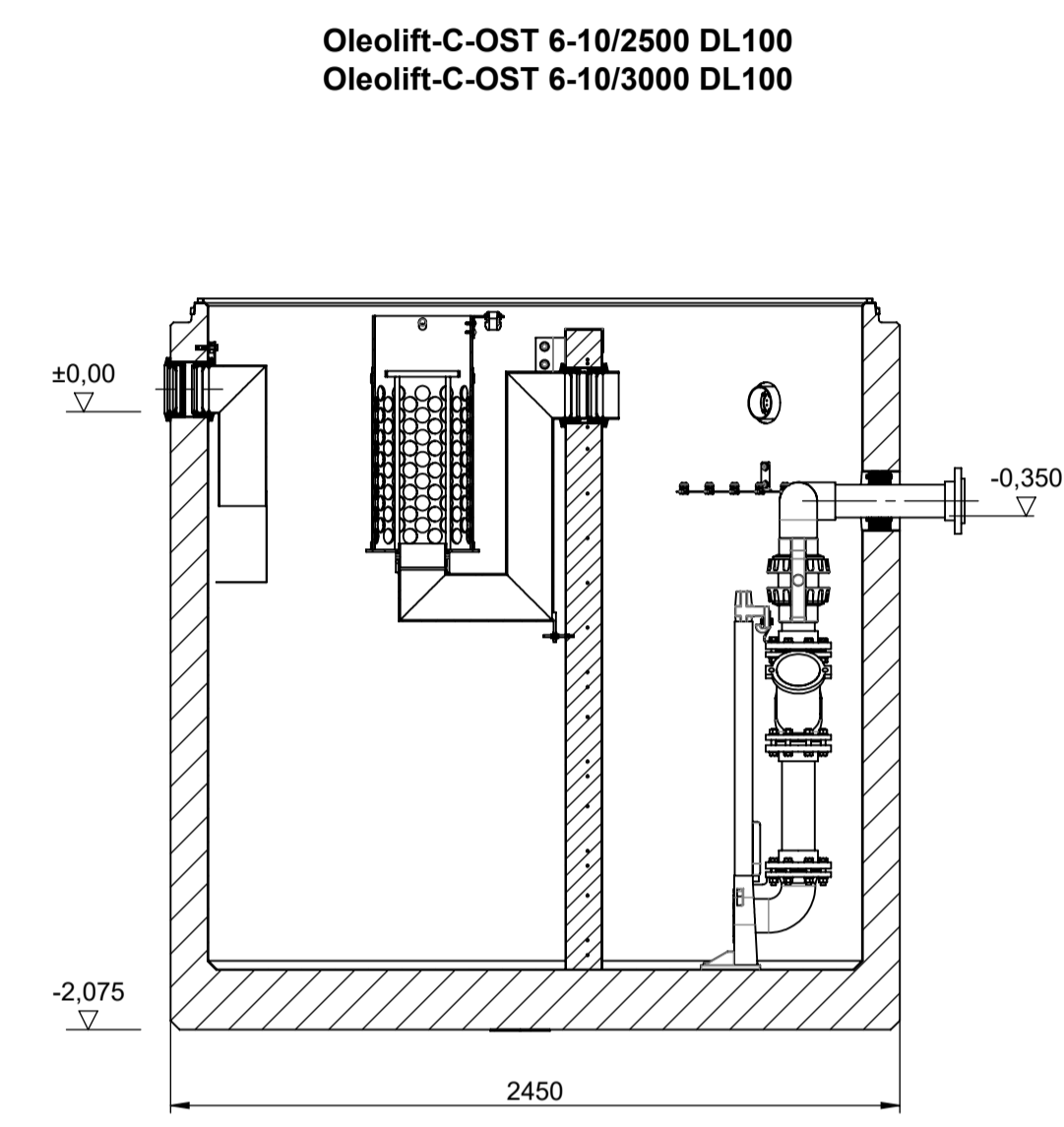
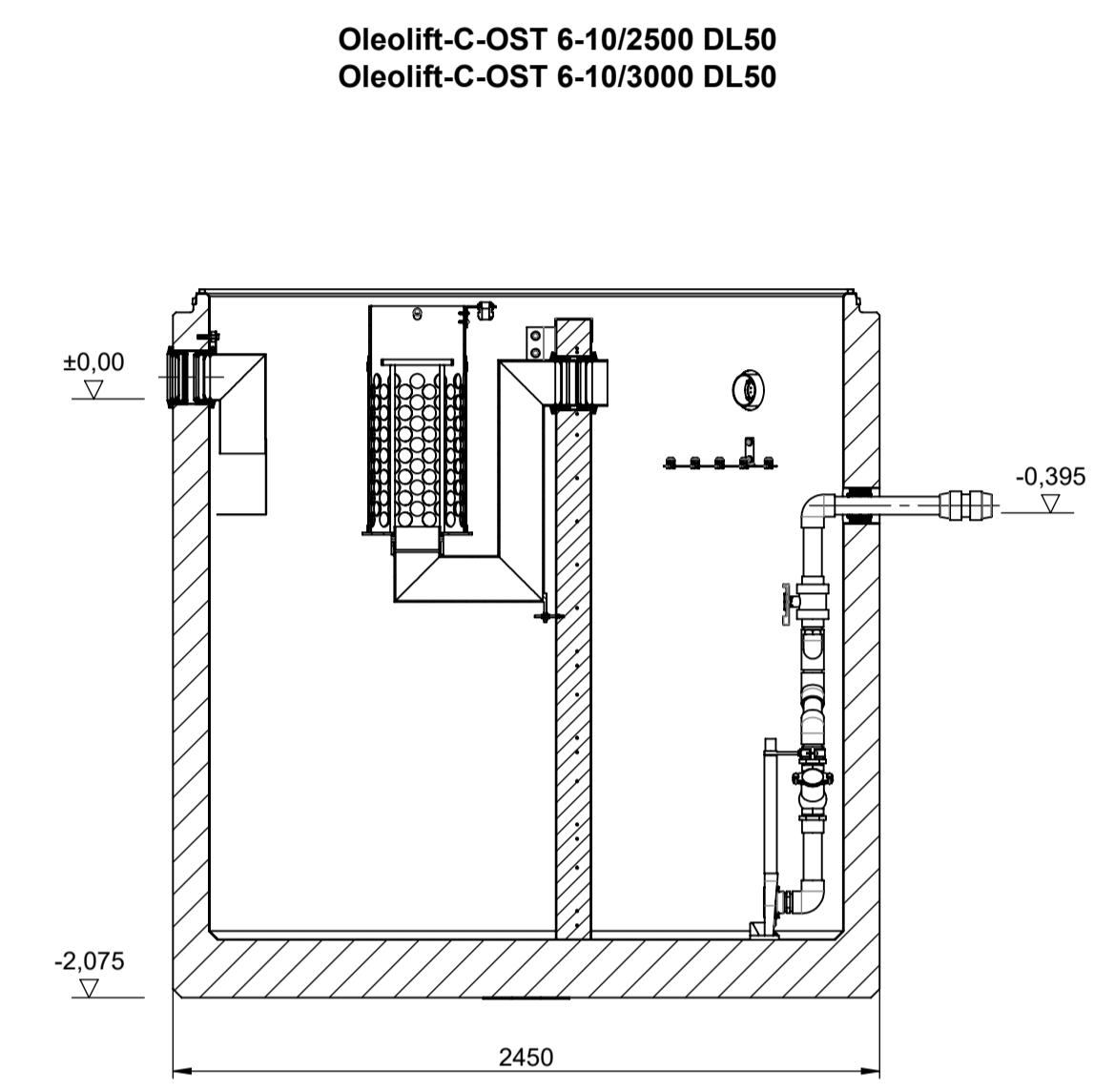
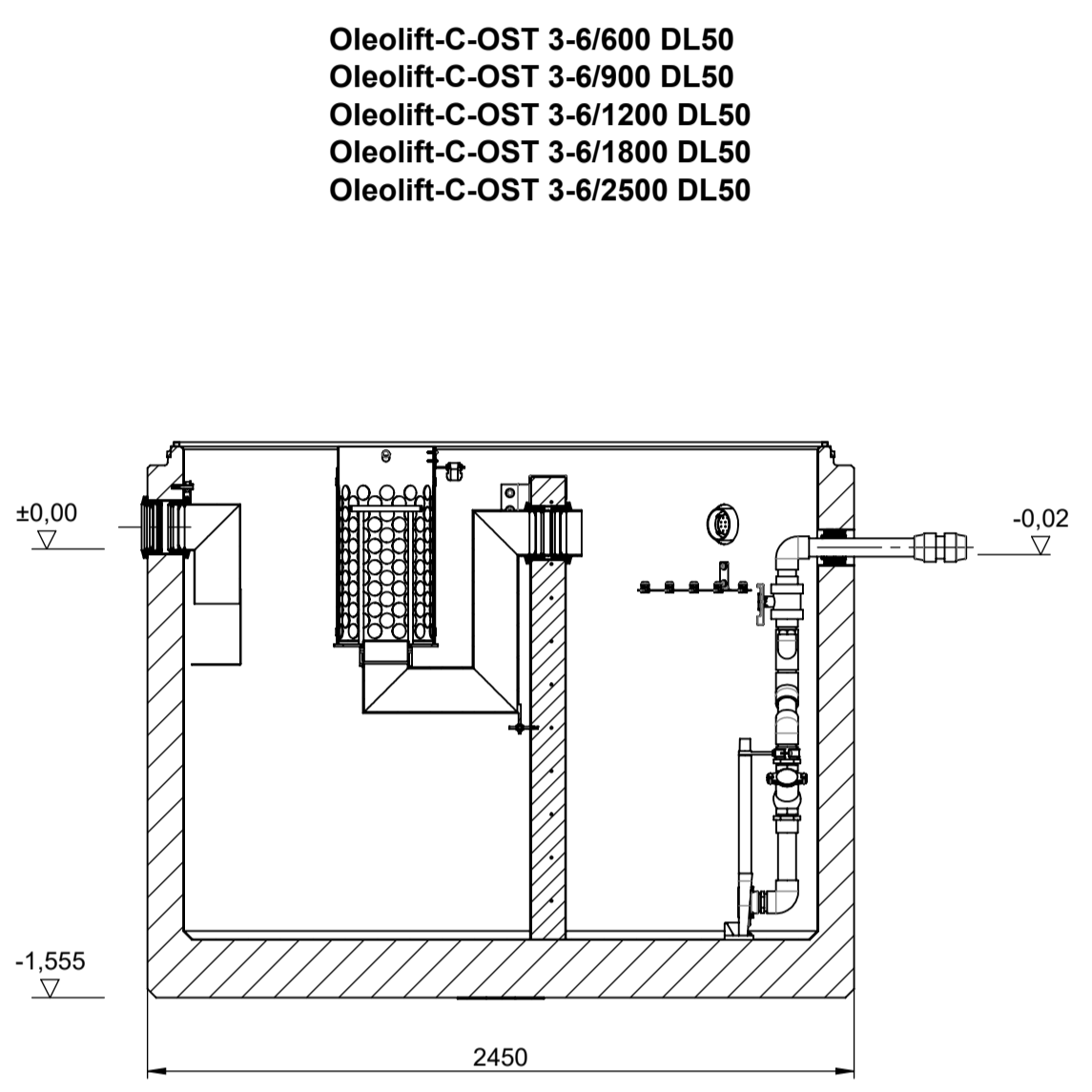
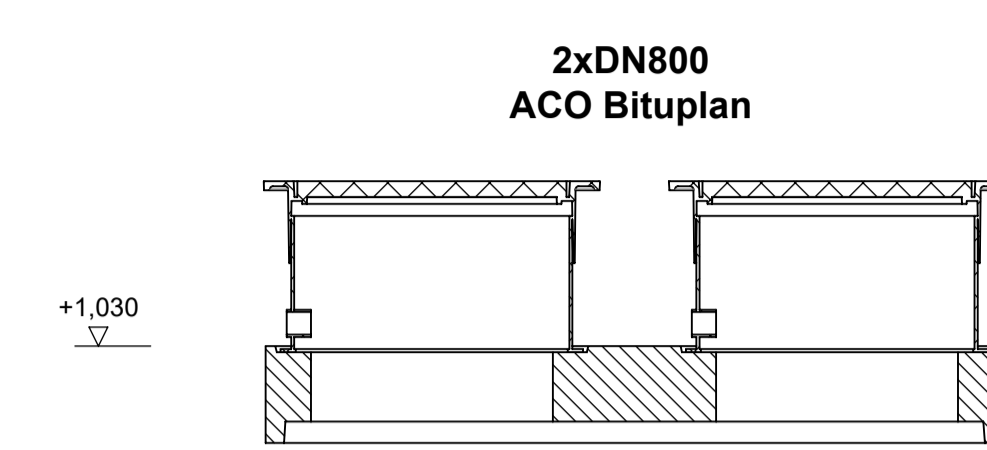
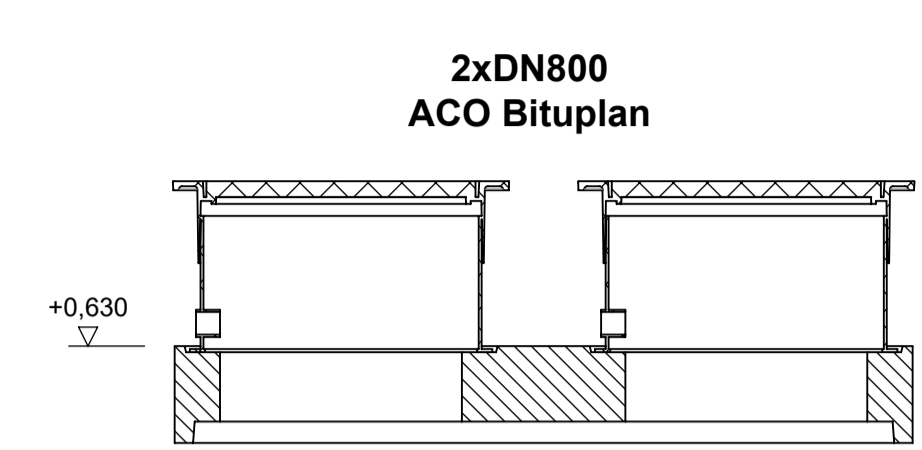
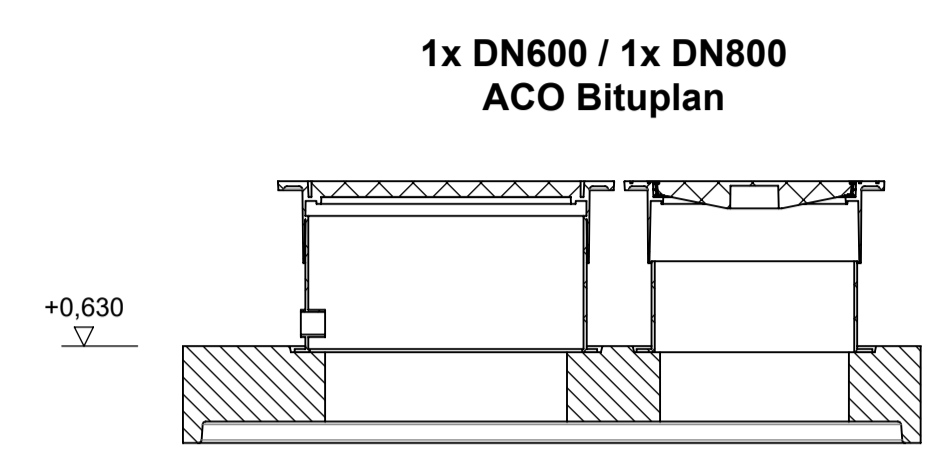
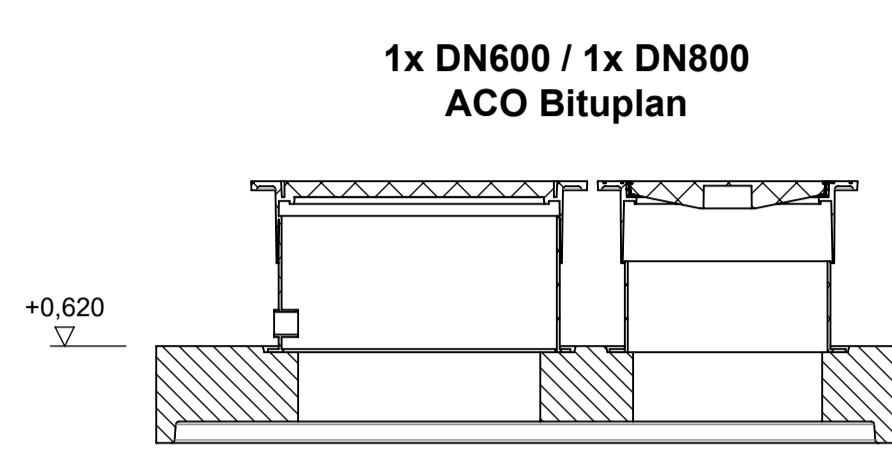


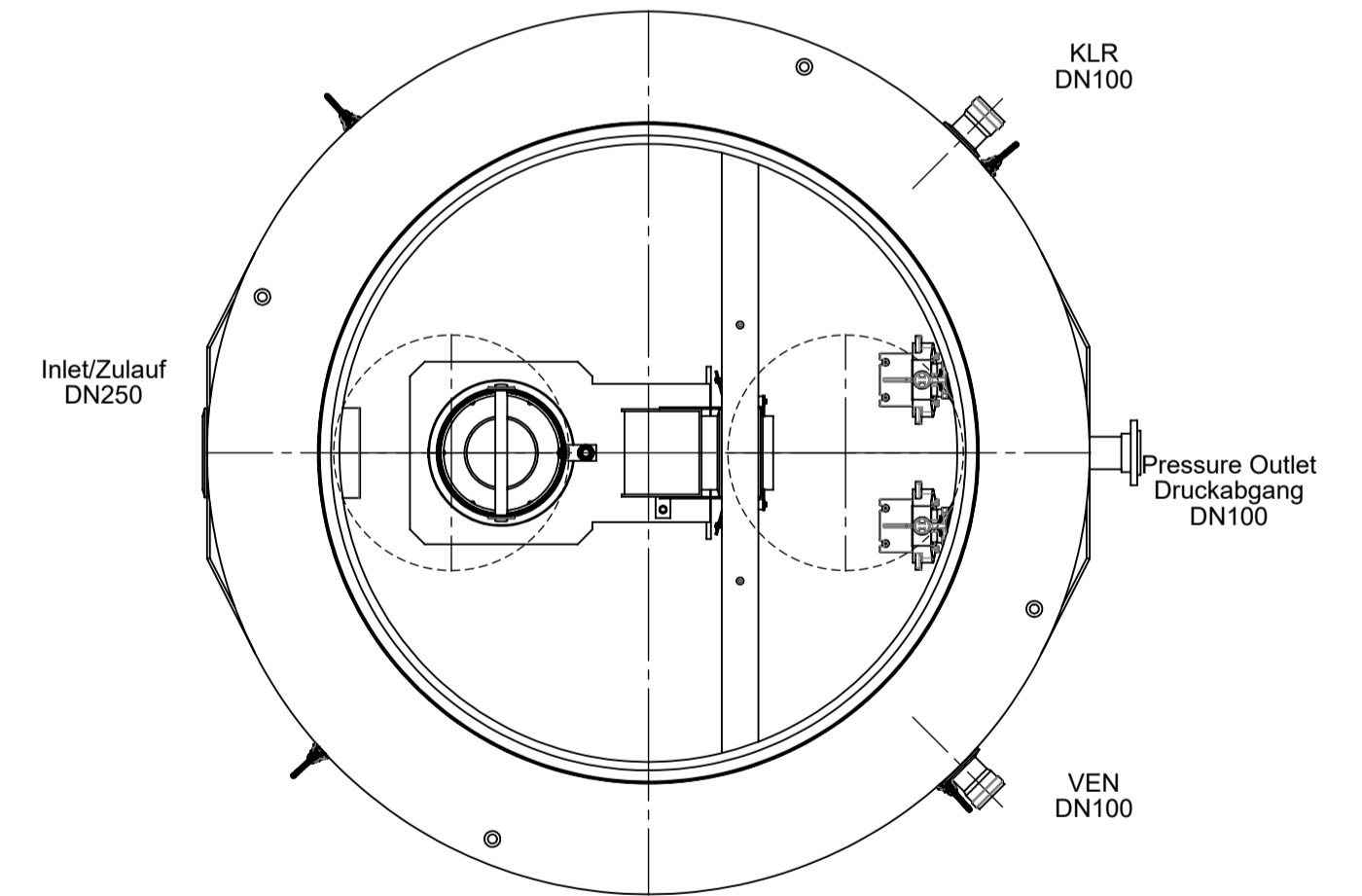
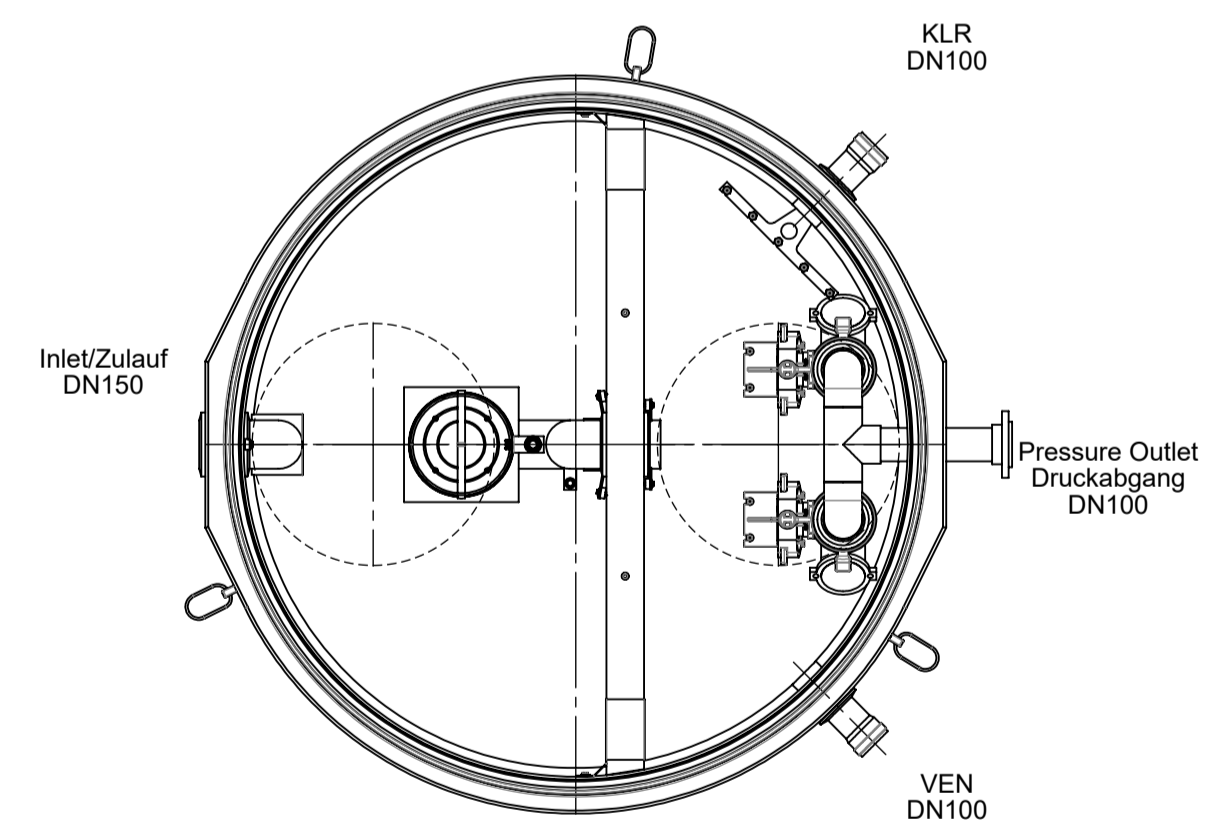
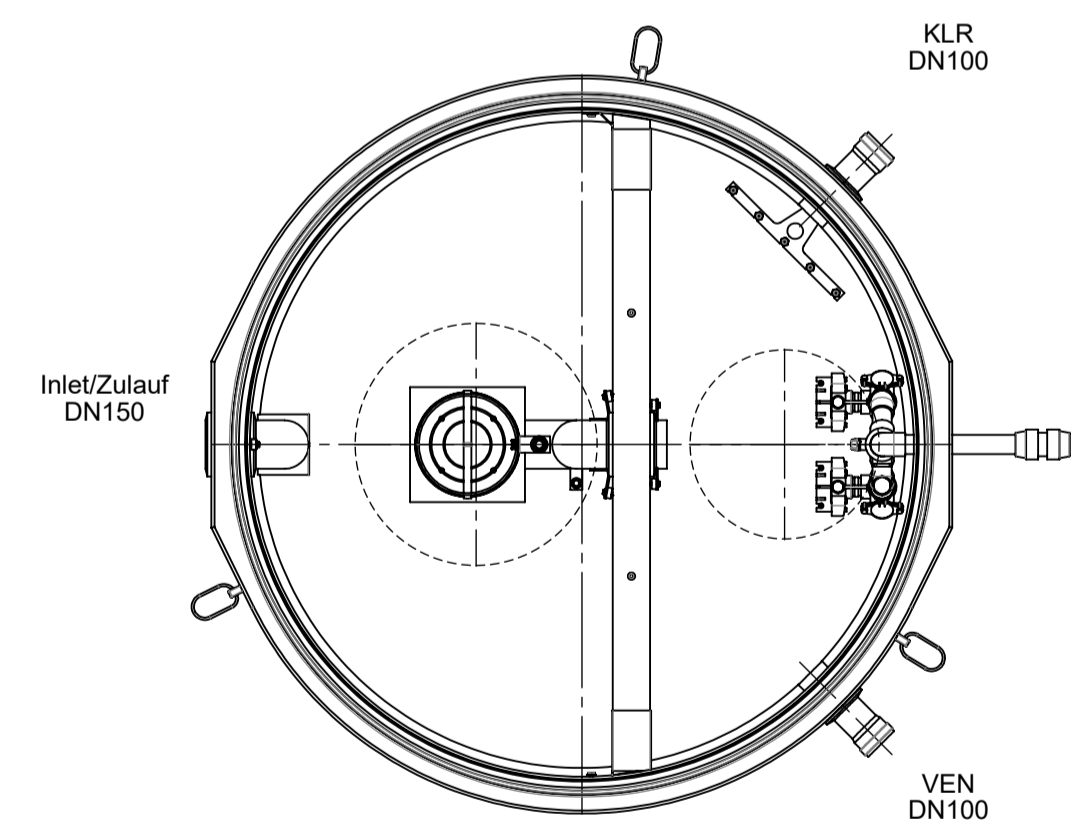
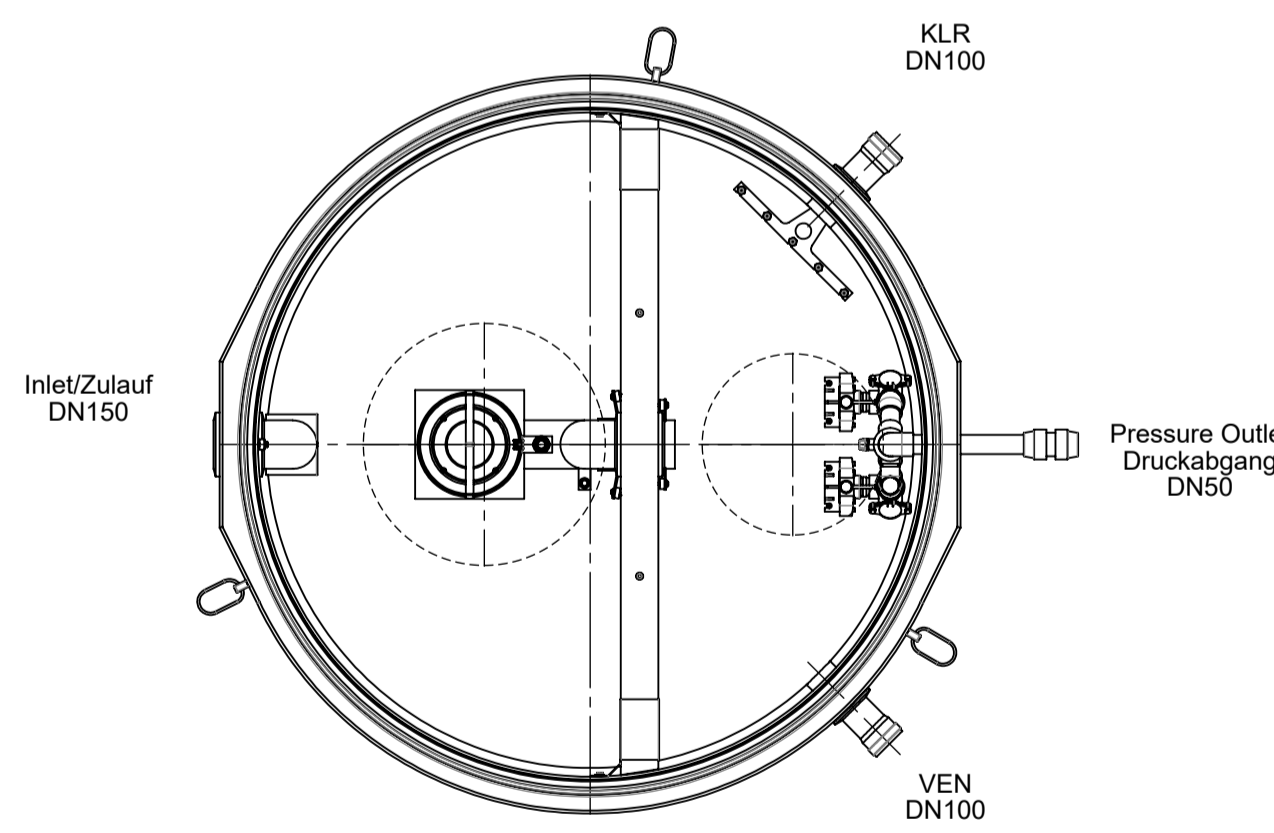
Overview Oleolift-C-OST coated NORDIC

Erstellt durch:
Ogel, Alexander
Geändert durch:
AOgel

Erstellt am:
Montag, 17. August
2020
Geändert am:
Donnerstag, 18.
November 2021



Top view/Draufsicht
shown without Combinations/ dargestellt ohne Kombinationen



Oleolift-C-OST 3-6/600 DL50	723274	Oleolift-C-OST 6-10/2500 DL50	723280	Oleolift-C-OST 6-10/2500 DL100	723282	Oleolift-C-OST 15-30/4500 DL100	723279
Oleolift-C-OST 3-6/900 DL50	723275	Oleolift-C-OST 6-10/3000 DL50	723281	Oleolift-C-OST 6-10/3000 DL100	723283	x	x
Oleolift-C-OST 3-6/1200 DL50	723276	x	x	x	x	x	x
Oleolift-C-OST 3-6/1800 DL50	723277	x	x	x	x	x	x
Oleolift-C-OST 3-6/2500 DL50	723278	x	x	x	x	x	x
Cover plate	727746	Cover plate	727746	Cover plate	727738	Cover plate	727738
Nordic adapter	418101	Nordic adapter	418101	Nordic adapter	418302	Nordic adapter	418302
Manhole cover NORDIC	1205104	Manhole cover NORDIC	1205104	Manhole cover NORDIC	1206114	Manhole cover NORDIC	1206114
Nordic adapter	418302	Nordic adapter	418302	Nordic adapter	418302	Nordic adapter	418302
Manhole cover NORDIC	1206114	Manhole cover NORDIC	1206114	Manhole cover NORDIC	1206114	Manhole cover NORDIC	1206114

technical reference:
Ogel, Alexander

documenttype:
Gruppenzeichnung

Modification:

projection: ISO-E

scale:
1:25

ACO Beton GmbH
Mittelstraße 25
69642 Binsdorf
Tel. +49 6206 9816-0
Fax. +49 6206 9816-28
www.aco.com

title:
Overview Oleolift-C-OST coated NORDIC
Übersicht Oleolift-C-OST beschichtet NORDIC

The reproduction, distribution and utilization of this document as well as the communication of its contents to others without express authorization is prohibited. Offenders will be held liable for the payment of damages. All rights reserved in the event of a patent, utility model or design. Observed copyright by ISO 16016

drawing-no.:
1116102

index:
001

release date:

sheet:
1/1