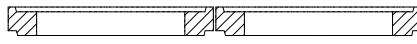
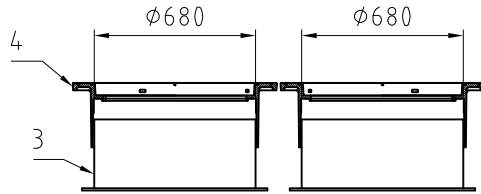
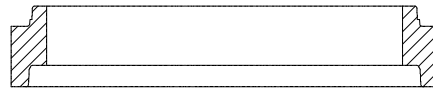
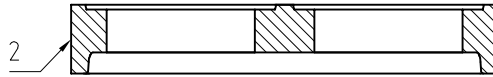


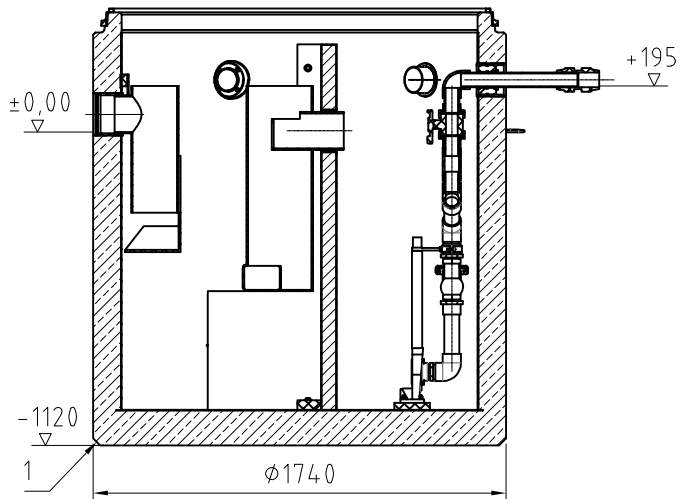
1065-1140
 ∇
 max. 5520



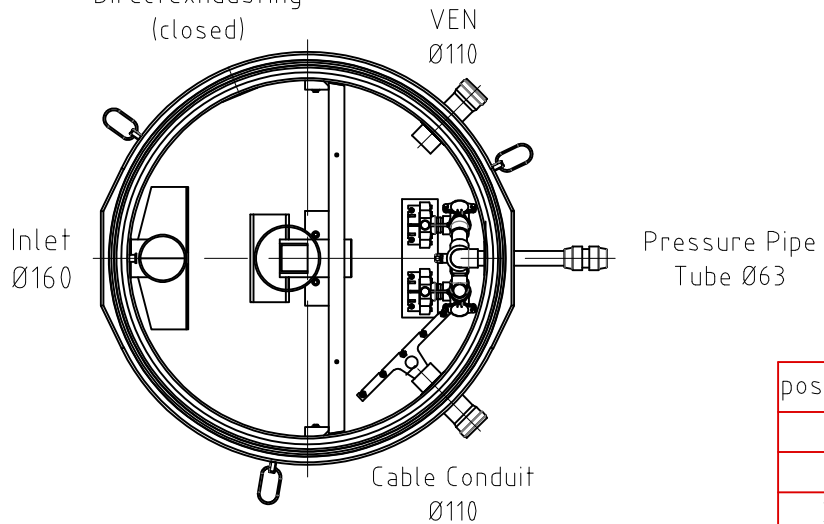
optional
 shaft parts $\phi 625$



optional
 shaft parts $\phi 1500$



optional:
 Directexhausting
 (closed)



position	article no.
1	723251
2	727781
3	418101
4	1204654

all dimensions are in mm

Lipulift-C 2-4/ 400



Date	Name
13.12.2019	tfenzel
Upd.	

Article- Numbers:
 Lipulift-C 2-4/ 400
 723251_2

Index
 001