

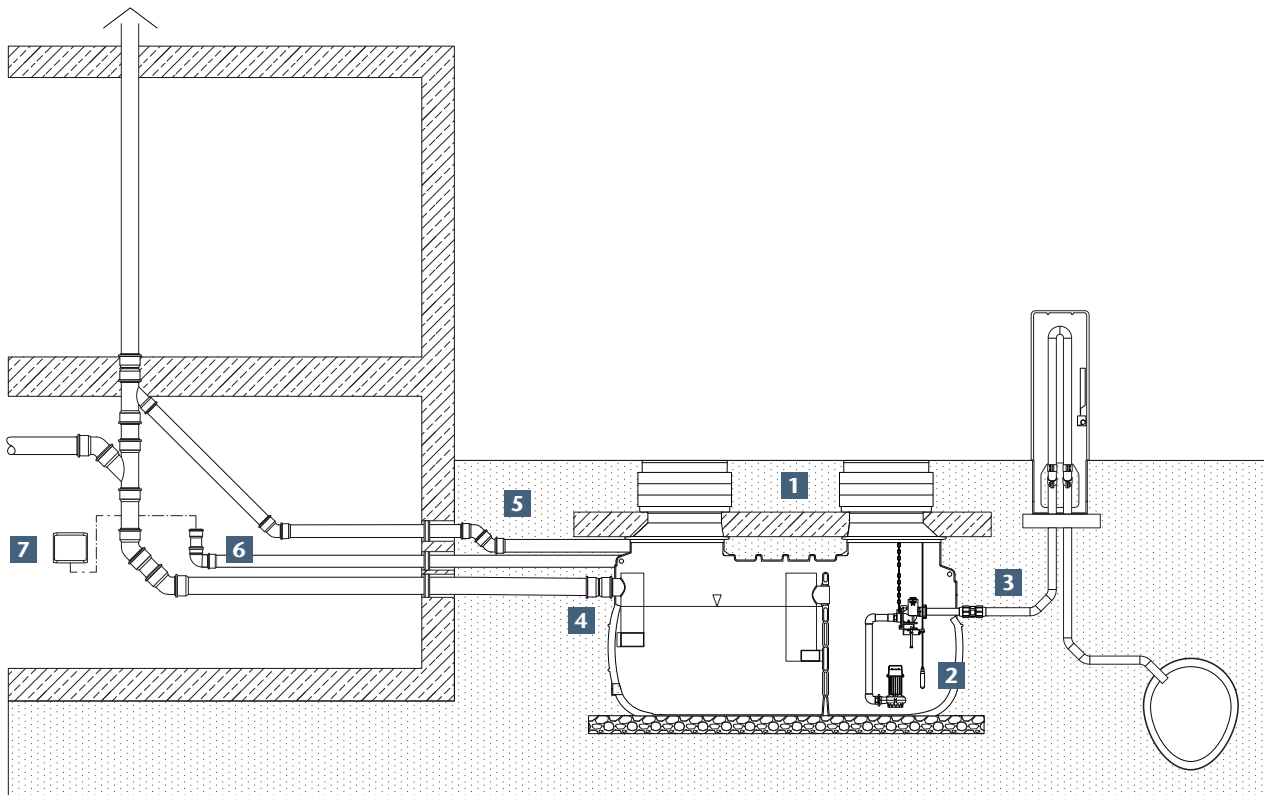


Grease separator for below ground
installation with integrated pump station

ACO LipuLift-P installation examples



Installation example ACO LipuLift-P-B



1. Grease separator LipuLift-P-B with load class D covers, each with three support rings and on-site load distribution plate load class D

2. integrated pump station with two pumps

3. Pressure pipe connection OD 63 mm

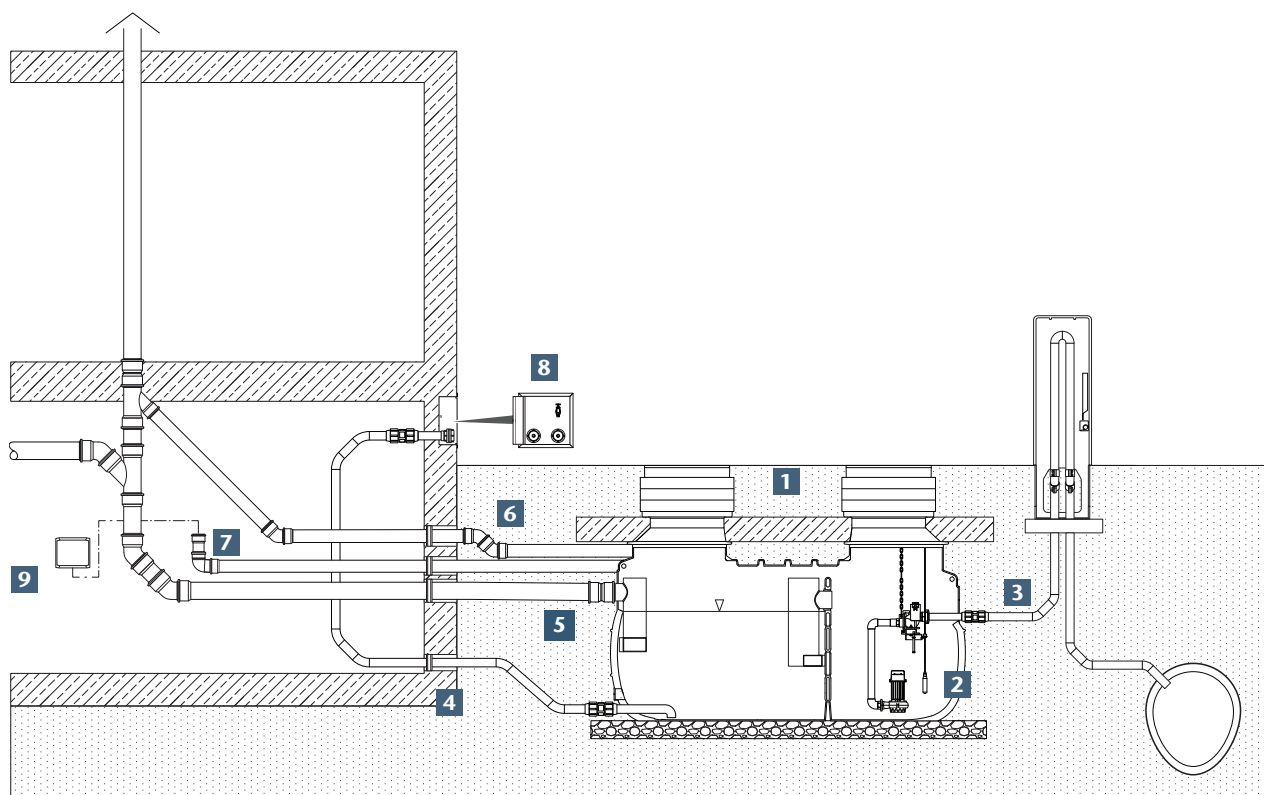
4. Inlet piping OD 110 mm (NS 4),
OD 160 mm (NS 7/10)

5. Ventilation line connection OD 110 mm

6. Service pipe OD 110 mm for cables from pumps

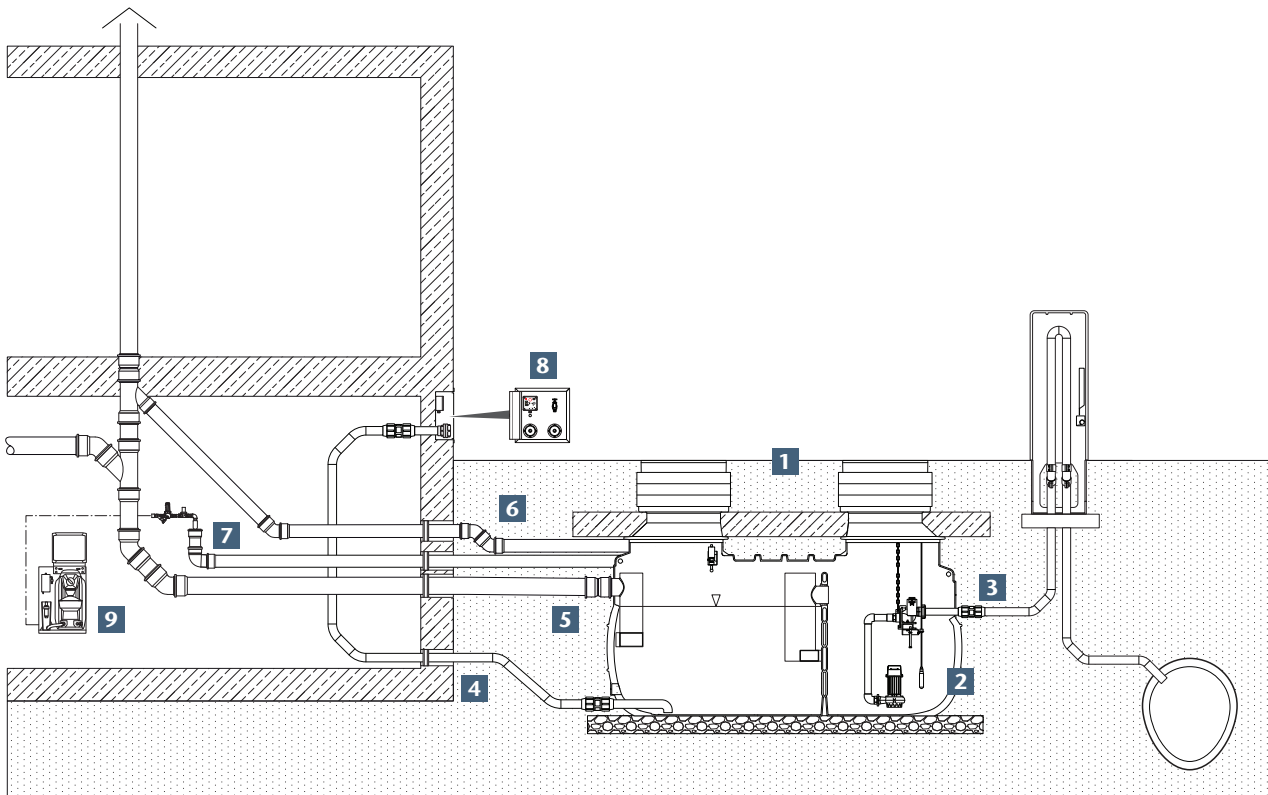
7. Control unit for pumps

Installation example ACO LipuLift-P-D



- | | |
|---|---|
| 1. Grease separator LipuLift-P-D with load class D covers, each with three support rings and on-site load distribution plate load class D | 6. Ventilation line connection OD 110 mm |
| 2. integrated pump station with two pumps | 7. Service pipe OD 110 mm for cables from pumps |
| 3. Pressure pipe connection OD 63 mm | 8. In-wall casing for direct suction |
| 4. Disposal line connection OD 75 mm | 9. Control unit for pumps |
| 5. Inlet piping OD 110 mm (NS 4),
OD 160 mm (NS 7/10) | |

Installation example ACO LipuLift-P-DA



1. Grease separator LipuLift-P-DA with load class D covers, each with three support rings and on-site load distribution plate load class D

2. integrated pump station with two pumps

3. Pressure pipe connection OD 63 mm

4. Disposal line connection OD 75 mm

5. Inlet piping OD 110 mm (NS 4),
OD 160 mm (NS 7/10)

6. Ventilation line connection OD 110 mm

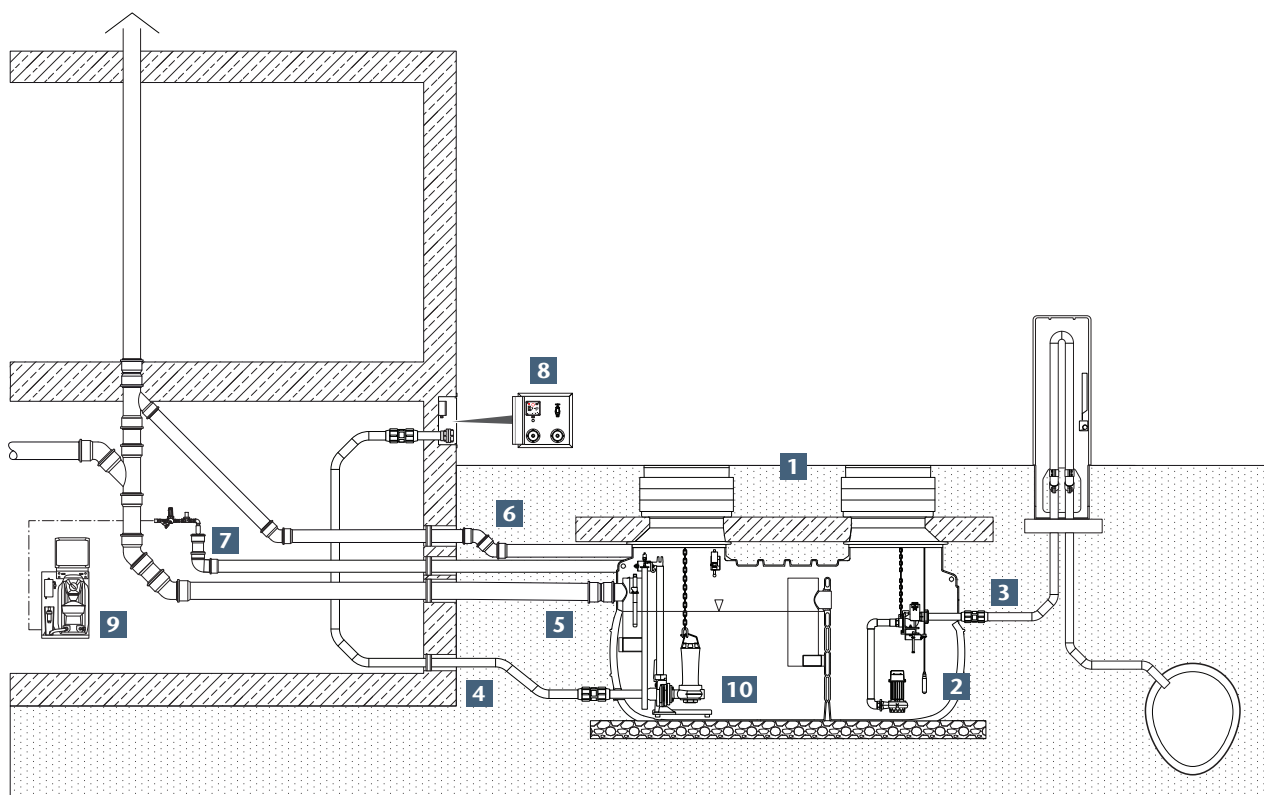
7. **Two service pipes:** one pipe OD 110 mm for connection of filling device ¾" and one pipe OD 110 mm for cables from grease separator and pump station

Attention! Service pipe for filling device must have a slope towards the grease separator!

8. In-wall casing for direct suction connection and remote control

9. Control unit and high pressure pump for inner cleaning

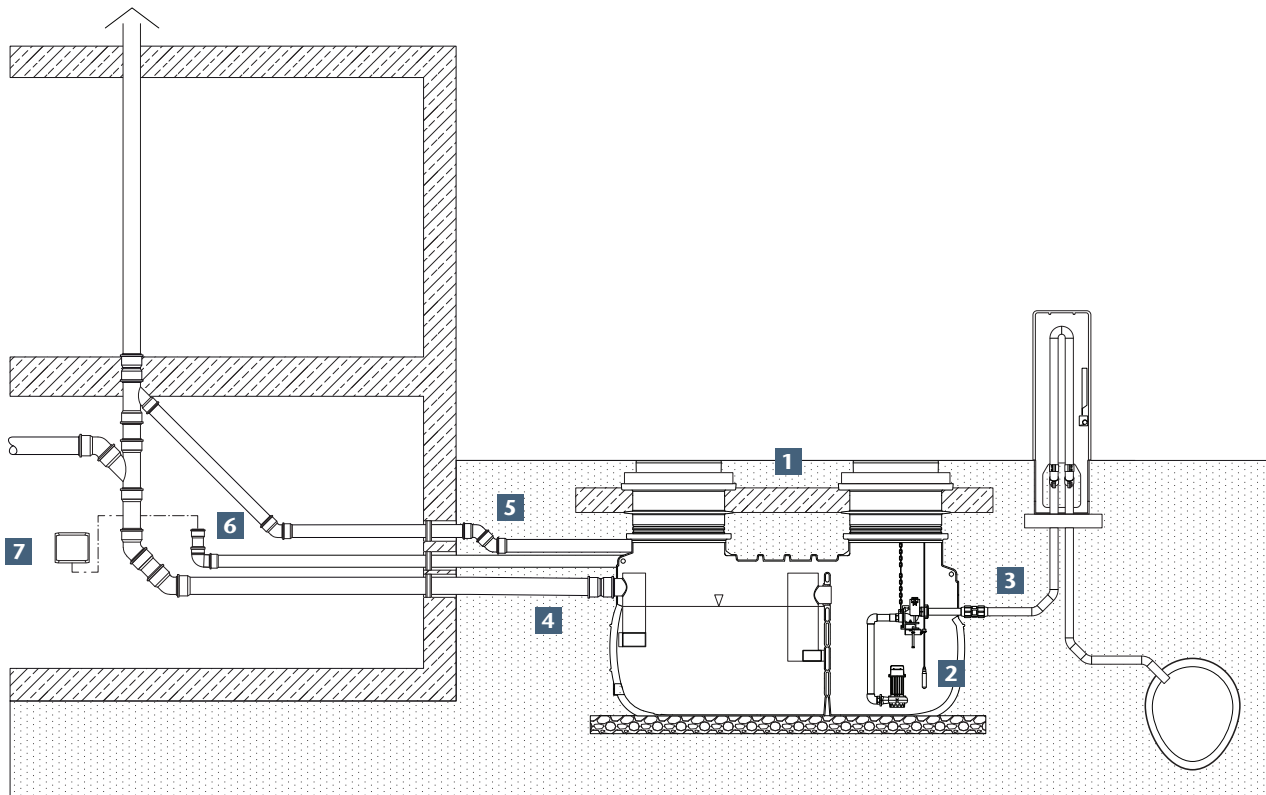
Installation example ACO LipuLift-P-DAP



1. Grease separator LipuLift-P-DAP with load class D covers, each with three support rings and on-site load distribution plate load class D
2. integrated pump station with two pumps
3. Pressure pipe connection OD 63 mm
4. Disposal line connection OD 75 mm
5. Inlet piping OD 110 mm (NS 4), OD 160 mm (NS 7/10)
6. Ventilation line connection OD 110 mm
7. **Two service pipes:** one pipe OD 110 mm for connection of filling device $\frac{3}{4}$ " and one pipe OD 110 mm for cables from grease separator and pump station
8. In-wall casing for direct suction connection and remote control
9. Control unit and high pressure pump for inner cleaning
10. Disposal pump

Attention! Service pipe for filling device must have a slope towards the grease separator!

Installation example ACO LipuLift-PF-B



1. Grease separator LipuLift-PF-B with raising tubes, load class D covers and on-site load distribution plate

2. integrated pump station with two pumps

3. Pressure pipe connection OD 63 mm

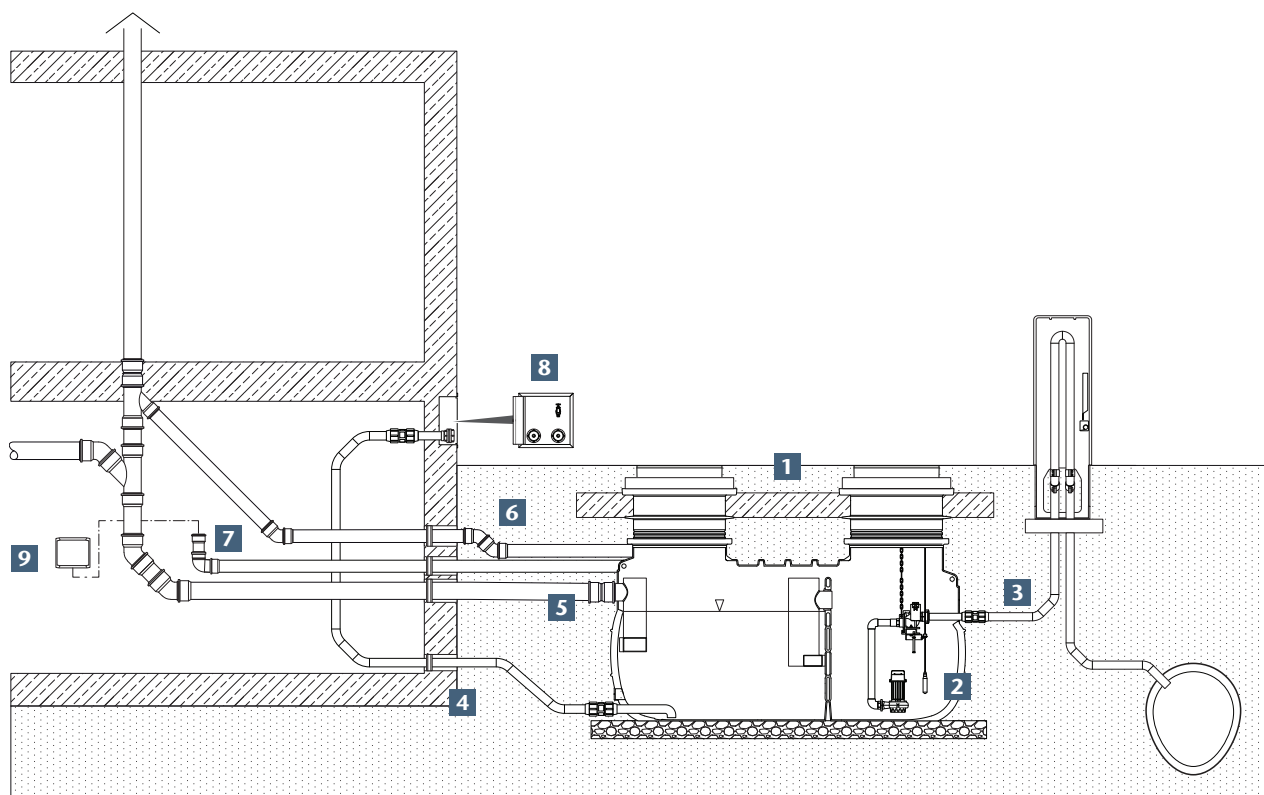
4. Inlet piping OD 110 mm (NS 4),
OD 160 mm (NS 7/10)

5. Ventilation line connection OD 110 mm

6. Service pipe OD 110 mm for cables from pumps

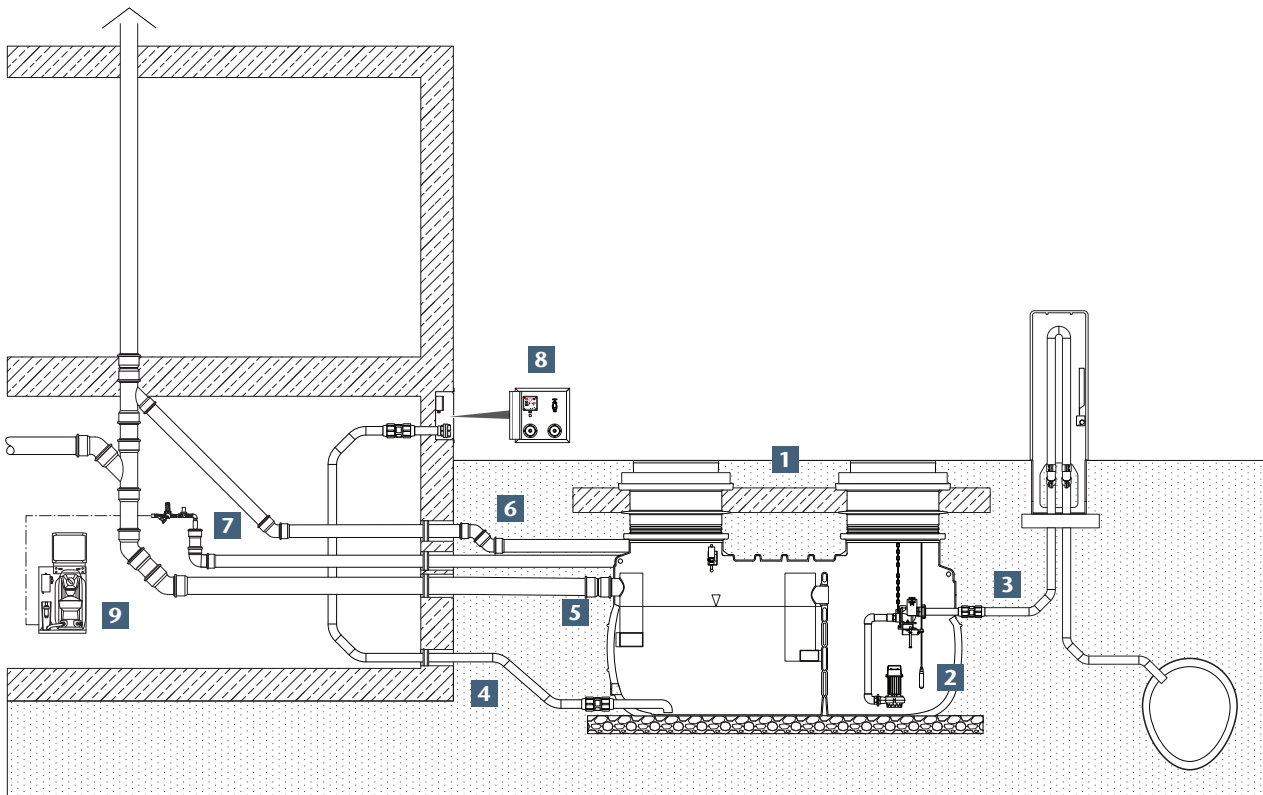
7. Control unit for pumps

Installation example ACO LipuLift-PF-D



1. Grease separator LipuLift-PF-D with raising tubes, load class D covers and on-site load distribution plate
2. integrated pump station with two pumps
3. Pressure pipe connection OD 63 mm
4. Disposal line connection OD 75 mm
5. Inlet piping OD 110 mm (NS 4), OD 160 mm (NS 7/10)
6. Ventilation line connection OD 110 mm
7. Service pipe OD 110 mm for cables from pumps
8. In-wall casing for direct suction
9. Control unit for pumps

Installation example ACO LipuLift-PF-DA



1. Grease separator LipuLift-PF-DA with raising tubes, load class D covers and on-site load distribution plate

2. integrated pump station with two pumps

3. Pressure pipe connection OD 63 mm

4. Disposal line connection OD 75 mm

5. Inlet piping OD 110 mm (NS 4),
OD 160 mm (NS 7/10)

6. Ventilation line connection OD 110 mm

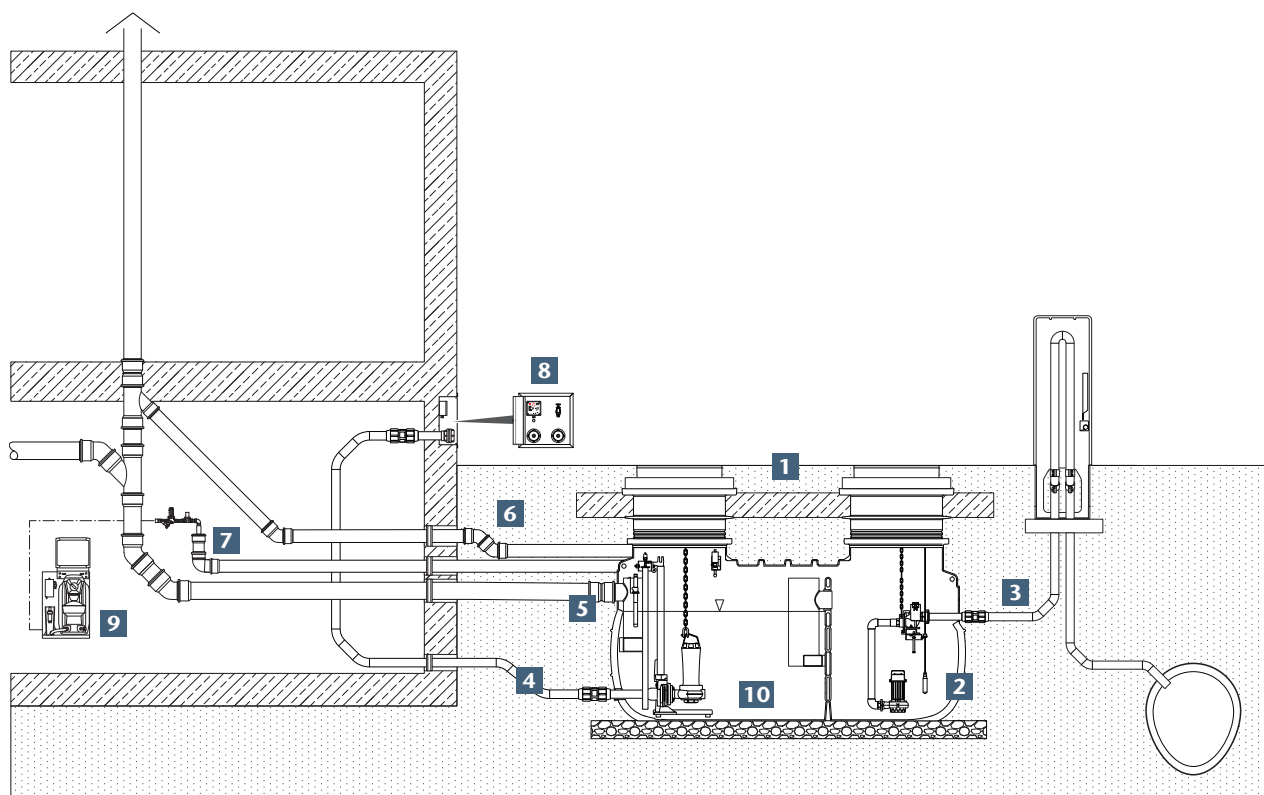
7. **Two service pipes:** one pipe OD 110 mm for connection of filling device ¾" and one pipe OD 110 mm for cables from grease separator and pump station

Attention! Service pipe for filling device must have a slope towards the grease separator!

8. In-wall casing for direct suction connection and remote control

9. Control unit and high pressure pump for inner cleaning

Installation example ACO LipuLift-PF-DAP



1. Grease separator LipuLift-PF-DAP with raising tubes, load class D covers and on-site load distribution plate

2. integrated pump station with two pumps

3. Pressure pipe connection OD 63 mm

4. Disposal line connection OD 75 mm

5. Inlet piping OD 110 mm (NS 4),
OD 160 mm (NS 7/10)

6. Ventilation line connection OD 110 mm

7. **Two service pipes:** one pipe OD 110 mm for connection of filling device $\frac{3}{4}$ " and one pipe OD 110 mm for cables from grease separator and pump station

Attention! Service pipe for filling device must have a slope towards the grease separator!

8. In-wall casing for direct suction connection and remote control

9. Control unit and high pressure pump for inner cleaning

10. Disposal pump



Add here your local address

**ACO. creating
the future of drainage**

