

Separators for

below ground installation

Rotomoulded tank system



ACO Grease, starch and light liquid separators for below ground installation

Commercial operations generating wastewater must implement appropriate measures, by using suitable pre-treatment installations like separators, to ensure that solids and liquids which can give off toxic and unpleasant vapours and odours are prevented from damaging construction materials and drainage facilities, harming operations, and are held back so that they do not enter sewage pipes.



Lipumax P-D

Medium cleaning and disposal comfort

Page 22



Fapumax P-DA

Premium cleaning and disposal comfort

Page 28



Sludge Trap P

ACO Sludge Traps P-SD

Page 41



Oleopass P

ACO Light liquid separator
Oleopator P – Class I

Page 36



General information 04

Grease separators

LipuLift-P	10
LipuLift-PF	14
Lipumax P-SD	19
Lipumax P-B Basic Model	21
Lipumax P-B Extension Stage 1	22
Lipumax P-DM Extension Stage 2	23
Lipumax P-DA Extension Stage 3	24
Top Sections	25

Starch separators

Fapumax P-B Basic Model	27
Fapumax P-DA Extension Stage 3	28
Top Sections	29

Light liquid separators

Oleopator P-SD	32
Oleopass P-SD	33
Oleopator P Class I	35
Oleopass P Class I with bypass	36
Top Sections	37

Sludge traps

Sludge Trap P-SD	40
Sludge Trap P	42
Top Sections	43

Accessories 45

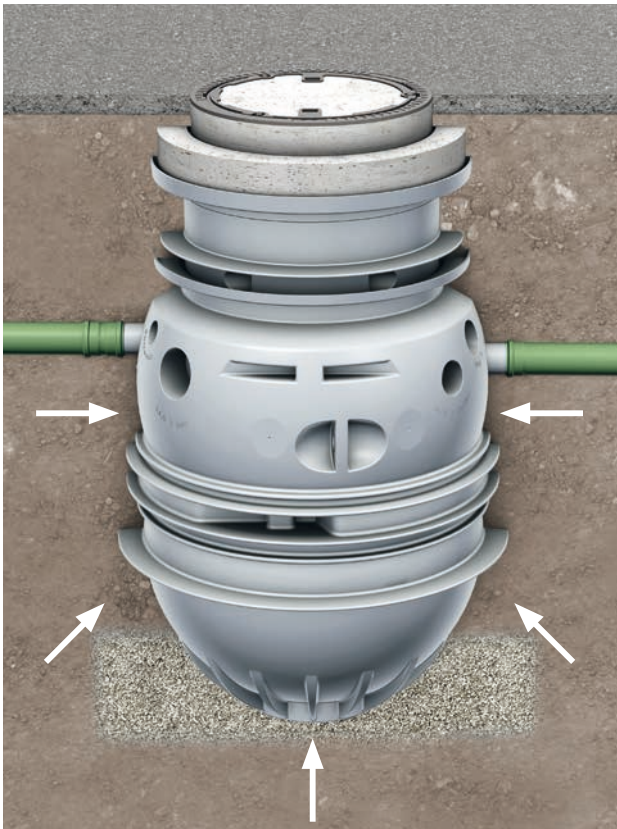
The rotomoulded tank system

Quality standards and tests

All ACO Grease separators are manufactured in accordance with EN 1825, all ACO Light liquid separators are manufactured in accordance with EN 858. All the separators in the range are hydraulically tested and have General Building Supervisory Authority Authorisation and/or the new application authorisation from DIBT Berlin.



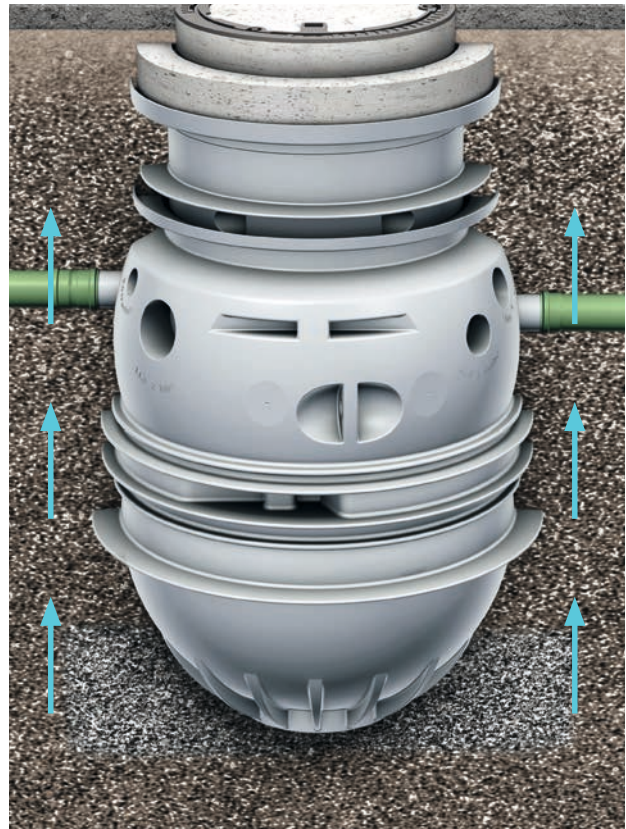
Structural stability



Product stability guaranteed for 50 years

- Certified statics have been calculated for the tank system
- The tank system supplies structural stability for 50 years

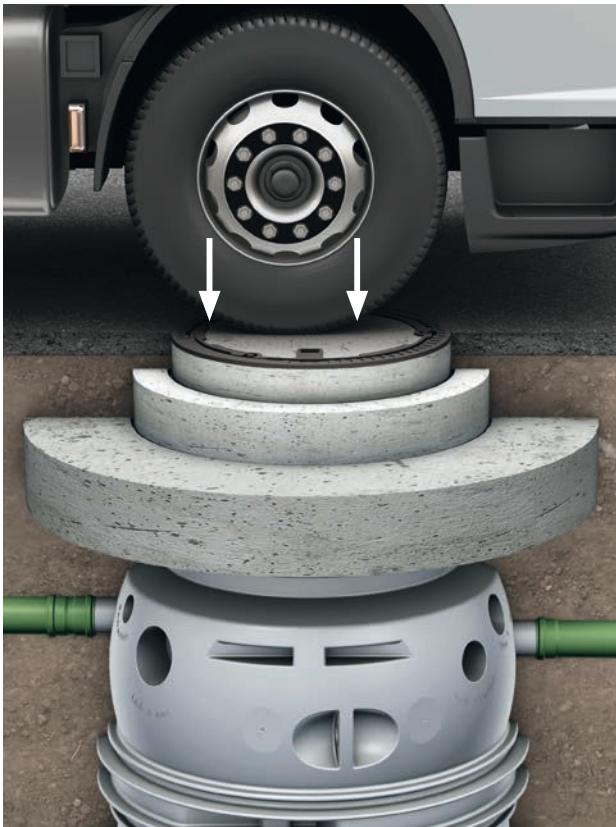
Protection against upwelling



Protection against ground water

- Depending on the maximum allowed inlet invert and the load class applied, the separators can be installed in areas with groundwater without additional concrete castings

Available for load class A, B or D



Flexible application

- Load class A15
- Load class B125
- Load class D400

Selecting the correct separator



When do grease separators have to be used?

Operations generating greasy wastewater have a mandatory obligation to install EN 1825 type grease separators to ensure that grease and organic oil is effectively removed from the wastewater. This applies for instance to kitchens and meat-processing operations. It is mandatory for every grease separator installed below the backflow level (usually corresponding to street level) to have a downstream twin lifting plant or complete pumping station. Each industry and commercial operation places individual demands on the capacity of grease separators, lifting plant and complete piping stations. Customisation therefore requires adaptable products in a wide range of sizes and materials. ACO has many decades of experience in supplying the most diverse range of grease separators, lifting plants and complete pumping stations for ground installation and free-standing installation.



When do light liquid separators have to be used?

The use of light liquid separators is stipulated by the regulations in DIN 1986-100, Section 6.2.3: "If petroleum or light oils, especially those that are combustible or can form explosive atmospheres, enter the sewers, separator systems for light oils must be used downstream of the discharge points." Discharging petroleum and light oils into public sewers can cause groundwater and drinking water contamination, and in serious cases, cause extensive environmental damage to flora and fauna. The solution to this problem is a light oil separator. Any light oil in the wastewater is collected in a separator tank and prevented from being discharged from the separator. The discharge outlet closes automatically when the maximum storage capacity has been reached. The light oil which collects in the separator is disposed of by certified recycling companies at regular intervals.

ACO Grease separator series Lipumax P

from polyethylene

LOW cleaning and disposal comfort



Lipumax P-B/P-SD disposal and cleaning via cover

Since disposal has to be done via the open manhole cover, it is recommended to install the grease separators in areas where the occurrence of stench does not pose inconveniences to the surroundings.

MEDIUM cleaning and disposal comfort



Lipumax P-D disposal with direct suction, cleaning via cover

It is possible to install a suction line DN 65 and an appropriate coupling on site. Lipumax P-D grease separator with direct suction extraction is ideal for installation in areas where disposal via the manhole cover is not possible, in pedestrian zones or outdoor catering areas for instance.

HIGH cleaning and disposal comfort



Lipumax P-DM disposal with direct suction and cleaning with integrated spray head (manual control)

It is possible to install a suction line DN 65 and an appropriate coupling on site. The integrated high-pressure cleaning unit has to be operated manually and connected to a cold water supply.

Disposal and cleaning of the separator is accomplished via the direct suction and the high-pressure cleaning. Therefore, for disposal the cover has not to be removed. After the disposal and the cleaning, the separator is re-filled manually via the filling device. outdoor catering areas for instance.

PREMIUM cleaning and disposal comfort




Lipumax P-DA disposal with direct suction and cleaning with integrated spray head (automatic control)

It is possible to install a suction line DN 65 and an appropriate coupling on site. The integrated high-pressure cleaning unit has to be connected to a cold water supply and is automatically operated.

Disposal and cleaning of the separator is accomplished automatically by using a remote control via the direct suction and the high-pressure cleaning. Therefore, for disposal the cover has not to be removed. After the disposal and the cleaning, the separator is re-filled automatically via the filling device which has to be connected to a cold water supply.

ACO Starch Separator series Fapumax P

from polyethylene



LOW cleaning and disposal comfort

Fapumax P-B disposal and cleaning via cover

Since disposal has to be done via the open manhole cover, it is recommended to install the starch separators in areas where the occurrence of stench does not pose inconveniences to the surroundings. The spray shower head serves to rinse off the starch.



PREMIUM cleaning and disposal comfort

Fapumax P-DA disposal with direct suction and cleaning with integrated spray head (automatic control)

It is possible to install a suction line DN 65 and an appropriate coupling on site. The integrated high-pressure cleaning unit has to be connected to a cold water supply and is automatically operated. The spray shower head serves to rinse off the starch. The spray shower head serves to rinse off the starch. Disposal and cleaning of the separator is accomplished automatically by using a remote control via the direct suction and the high-pressure cleaning. Therefore, for disposal the cover has not to be removed. After the disposal and cleaning, the separator is re-filled automatically via the filling device which has to be connected to an cold water supply.

ACO Light Liquid Separator series Oleopator P and Oleopass P

from polyethylene



Oleopator P/P-SD – Class I

Oleopator P Class I light liquids separators are designed for ground installation outside of buildings, to treat waste water from industrial processes or oil contaminated rainwater from impervious areas or to retain any spillage of light liquid and to protect surrounding areas. Depending on the load class and nominal size, the inlet invert varies between 450–2000 mm. Light liquid separators can be equipped with top sections for the load classes A 15, B 125 or D 400 according EN 124.



Oleopass P/P-SD – Class I with bypass

Oleopass P Class I light liquid separators with bypass are designed for ground installation outside of buildings, to treat oil contaminated rainwater from impervious areas or to retain any spillage of light liquid and to protect surrounding areas. It is not possible to use the separators with bypass to treat waste water from industrial processes, vehicle washing, cleansing of oil covered parts or other sources, e.g. petrol stations. Depending on the load class and nominal size, the inlet invert varies between 450–2000 mm. Light liquid separators can be equipped with top sections for the load classes A 15, B 125 or D 400 according EN 124.

ACO Sludge Trap series

from polyethylene



Sludge Trap P/P-SD

Sedimentation tanks are designed for ground installation outside of buildings, to treat polluted wastewater with huge contents of solids before the light liquid separator.

Depending on the load class and total volume, the inlet invert varies between 415–2000 mm.

ACO Grease Separator LipuLift-P

Standard Version, possible inlet inverts: 900 - 1,200 mm

Product information

Grease separator according to EN 1825-1 made of polyethylene for underground installation with integrated dual pumping station according to EN 12050

Two dome openings, each for receiving support rings with a total installation height of max. 300 mm and covers for load class A, B or D.

- Minimum inlet invert 900 mm
(use of covers without support rings)
- Maximum inlet depth: 1,200 mm
(use of covers with support rings with a total installation height of 300 mm)

Integrated pumping station according to EN 12050, accessible via the manhole cover

- Pressure connection: 2" - OD Ø 63 mm (PE pipe)
- Ball backflow preventer
- Voltage: 400 V, 50 Hz, speed: 2900 rpm
- Protection class IP 68; Operating mode: S1

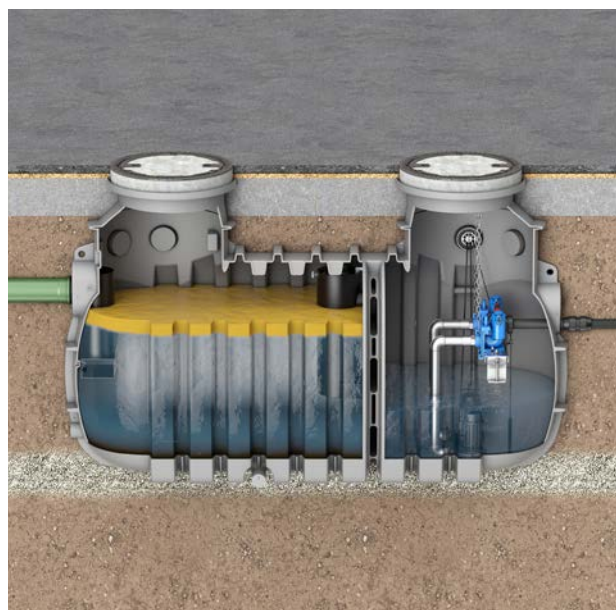
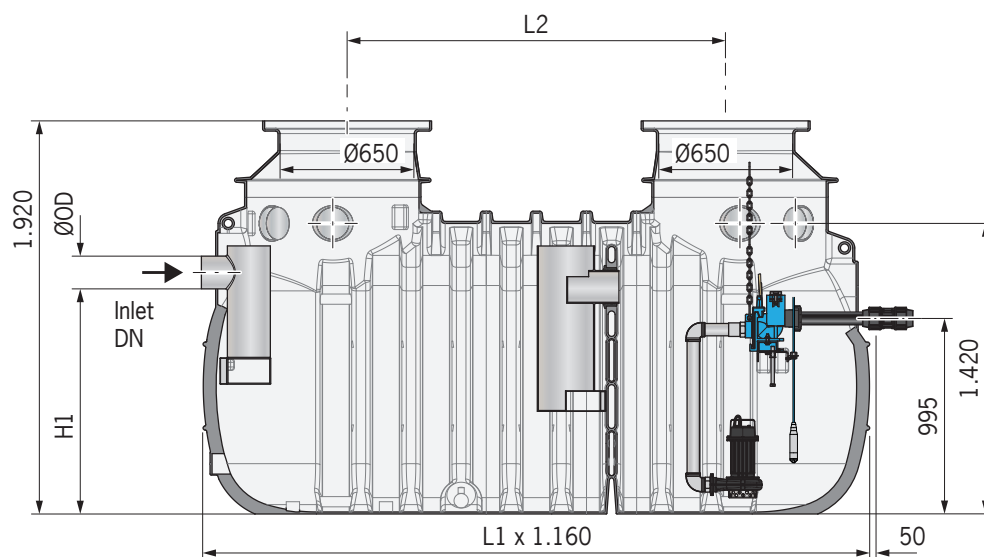


Illustration shows the complete product with covers, load class B

LipuLift-P – Order data





Nominal size	Inlet Ø OD	Capacity Separator Sludge	Capacity Separator Grease	Capacity Separator Total	Operating Volume Pump tank	H1	L1	L2
	[mm]	[l]	[l]	[l]	[l]	[mm]	[mm]	[mm]
NS 4	110	590	370	1260	660	1125	2770	1500
NS 7	160	780	550	1760	660	1100	3260	1990
NS 10	160	1010	710	2260	660	1100	3750	2480

Comfort stages






Grease Separator – Order data

Product	Product description	Nominal size	Lifting height	Article No.
			pump station maximum [m]	
 <p>LipuLift-P-B</p>	<ul style="list-style-type: none"> ■ disposal and cleaning via the manhole cover 	NS 4	8	3204.20.01
		NS 7	6	3207.20.01
			8	3207.20.02
		NS 10	4	3210.20.02
8	3210.20.03			
 <p>LipuLift-P-D</p>	<ul style="list-style-type: none"> ■ with a factory-prepared suction line made of PE-HD DN 65 (OD 75 mm), with Storz-B coupling and blind cover ■ disposal with closed cover ■ cleaning via the manhole covers 	NS 4	8	3204.20.11
		NS 7	6	3207.20.11
			8	3207.20.12
		NS 10	4	3210.20.12
8	3210.20.13			
 <p>LipuLift-P-DA</p>	<ul style="list-style-type: none"> ■ with a factory-prepared suction line made of PE-HD DN 65 (OD 75 mm), with Storz-B coupling and blind cover ■ with factory-prepared automatic high-pressure internal cleaning ■ disposal, cleaning and refilling of the separator with closed covers 	NS 4	8	3204.20.31
		NS 7	6	3207.20.31
			8	3207.20.32
		NS 10	4	3210.20.32
8	3210.20.33			
 <p>LipuLift-P-DAP</p>	<ul style="list-style-type: none"> ■ with a factory-prepared suction line made of PE-HD DN 65 (OD 75 mm), with Storz-B coupling and blind cover ■ with factory-prepared automatic high-pressure internal cleaning and disposal pump for disposal heights of up to approx. 10 meters ■ disposal, cleaning and refilling of the separator with closed covers 	NS 4	8	3204.20.41
		NS 7	6	3207.20.41
			8	3207.20.42
		NS 10	4	3210.20.42
8	3210.2 0.43			


Level detection (all separators) – Order data

	Product description	Suitable for	Type	Article No.
	Pressure sensor for switching the pump technology via an electric cable Consumption 4 - 20 mA, 0 - 200 mbar	■ LipuLift-P-B/-D/ -DA/-DAP	Cable length: 20 meter Cable length: 40 meter	0178.63.88 0178.63.87
	Dynamic pressure bell for switching the pump technology via a pneumatic measuring hose with air bubble injection Attention! Laying must be carried out without kinks, rising to the switching device	■ LipuLift-P-B/-D	Tube length: 20 meter	0155.41.90

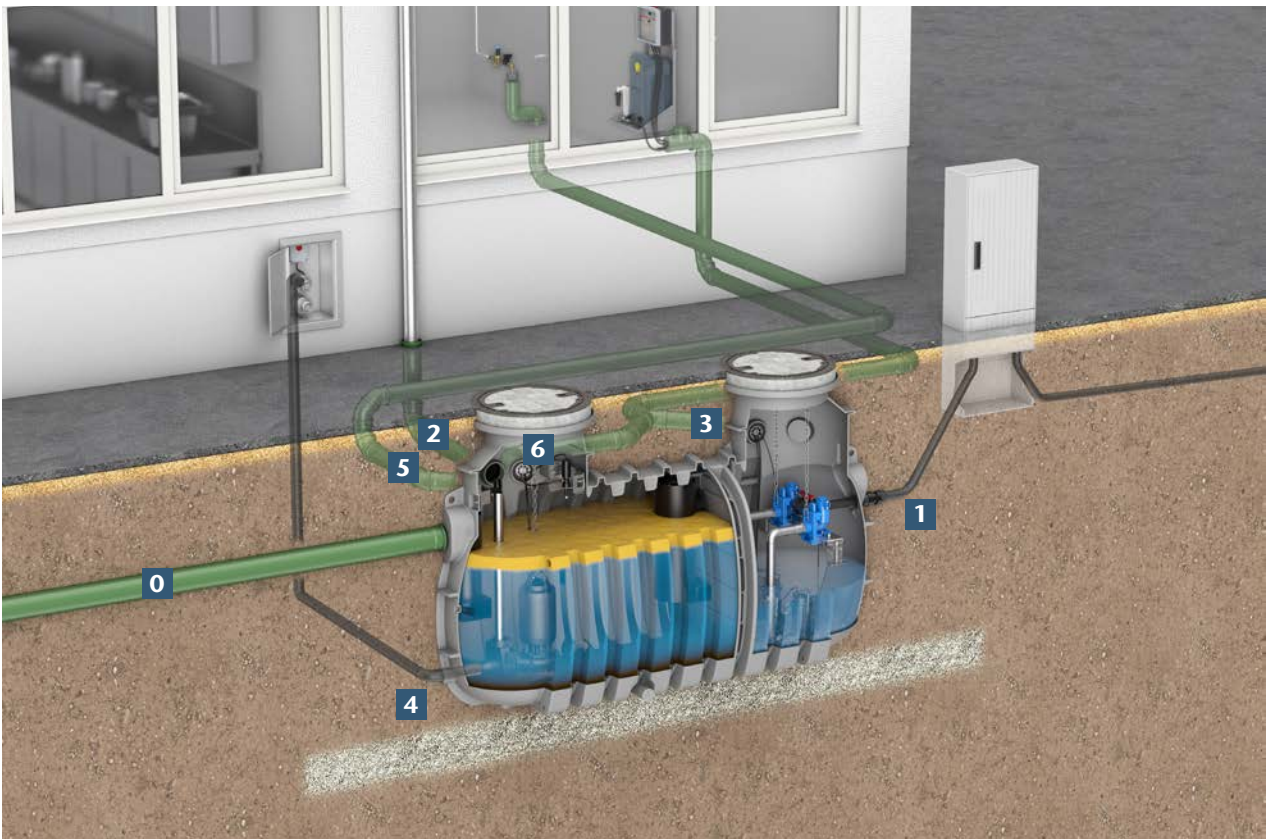
Cover systems (all separators type "P") – Order data

	Product description	Suitable for	Type	Article No.
	Cover load class A according to EN 124 Cover from concrete, frame from cast iron, odour-proof, unlocked	■ Lipulift-P series		0155.26.36
	Cover load class B according to EN 124 Cover from concrete, frame from cast iron, odour-proof, locked	■ Lipulift-P series		0150.79.02
	Cover load class D according to EN 124 Cover from concrete, frame from cast iron, odour-proof, locked	■ Lipulift-P series		0150.69.52
	Support ring from concrete ARV 625	■ Lipulift-P series	Height: 60 mm Height: 80 mm Height 100 mm	8700.20.00 8700.20.10 8700.20.20
	Removal key	■ Covers load class A, B or D		4143.00.00

Order Data – high pressure hose (only grease separator type „DA“ or “DAP”)

	Product description	Suitable for	Type	Article No.
	To connect a high pressure pump in the building and a high pressure cleaning head in the grease separator	■ LipuLift-P-DA/-DAP	10 meter 20 meter 30 meter	0150.33.62 0150.33.63 0150.33.64

Installation example



Nr.	Designation	LipuLift- P-B	Lipulift- P-D	LipuLift- P-DA	LipuLift- P-DAP
0	Inlet piping OD 110 mm (NS 4) or OD 160 mm (NS7/NS10)	x	x	x	x
1	Pressure pipe connection from PE OD 63 mm	x	x	x	x
2	Connection for ventilation line OD 110 mm	x	x	x	x
3	Cable duct OD 110 mm for cable pipe of the control unit	x	x	x	x
4	Disposal connection of PE OD 75 mm		x	x	x
5	Connection for filling pipe OD 110 mm			x	x
6	Cable duct OD 110 mm for high-pressure internal cleaning (type "-DA") and disposal pump (type "-DAP")			x	x

Buoyancy protection

Load class A15 and B125

Container buoyancy-proof from the container bottom up to a height of 1,650 mm (load class A15 and B125) with on-site concrete slab

Load class D400

Container buoyancy-proof from the container bottom up to a height of 1,650 mm (load class D400) with a concrete load distribution plate to be created on site

ACO Grease Separator LipuLift-PF

Flexible version for variable inlet inverts

Product information

Grease separator according to EN 1825-1 made of polyethylene for underground installation with integrated dual pumping station according to EN 12050

Two dome openings, each to accommodate a top section with covers according to either class A, B or D

Integrated pumping station according to EN 12050, accessible via the manhole cover

- Pressure connection: 2" - OD Ø 63 mm (PE pipe)
- Ball backflow preventer
- Voltage: 400 V, 50 Hz, speed: 2900 rpm
- protection class IP 68; Operating mode: 51

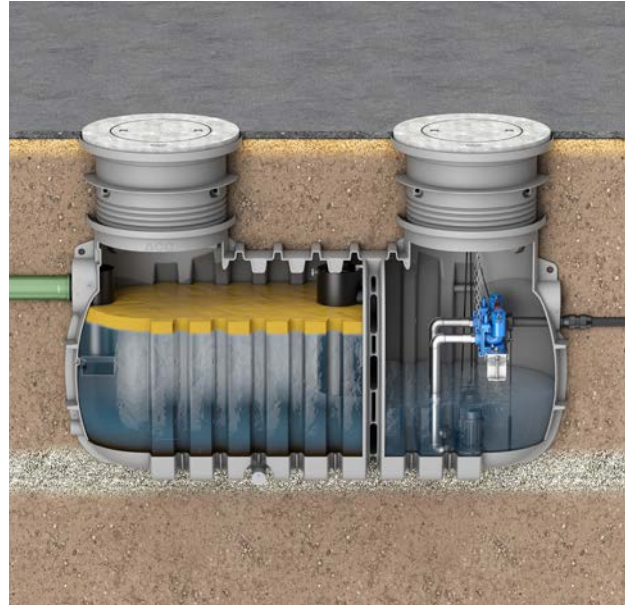
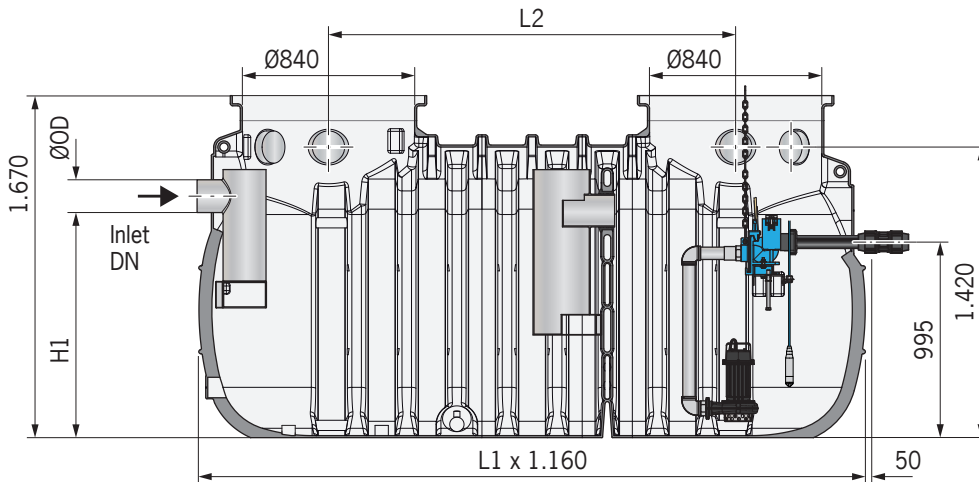


Illustration shows the complete product with covers, load class A

LipuLift-PF – Order data



14



Nominal size	Inlet Ø OD	Capacity Separator Sludge	Capacity Separator Grease	Capacity Separator Total	Operating Volume Pump tank	H1	L1	L2
	[mm]	[l]	[l]	[l]	[l]	[mm]	[mm]	[mm]
NS 4	110	590	370	1260	660	1125	2770	1500
NS 7	160	780	550	1760	660	1100	3260	1990
NS 10	160	1010	710	2260	660	1100	3750	2480

Comfort stages




Grease Separator – Order data

Product	Product description	Nominal size	Lifting height	Article No.
			pump station maximum [m]	
 <p>LipuLift-PF-B</p>	<ul style="list-style-type: none"> ■ disposal and cleaning via the manhole cover 	NS 4	8	3204.30.01
		NS 7	6	3207.30.01
			8	3207.30.02
		NS 10	4	3210.30.02
			8	3210.30.03
		 <p>LipuLift-PF-D</p>	<ul style="list-style-type: none"> ■ with a factory-prepared suction line made of PE-HD DN 65 (OD 75 mm), with Storz-B coupling and blind cover ■ disposal with closed cover ■ cleaning via the manhole covers 	NS 4
NS 7	6			3207.30.11
	8			3207.30.12
NS 10	4			3210.30.12
	8			3210.30.13
 <p>LipuLift-PF-DA</p>	<ul style="list-style-type: none"> ■ with a factory-prepared suction line made of PE-HD DN 65 (OD 75 mm), with Storz-B coupling and blind cover ■ with factory-prepared automatic high-pressure internal cleaning ■ disposal, cleaning and refilling of the separator with closed covers 			NS 4
		NS 7	6	3207.30.31
			8	3207.30.32
		NS 10	4	3210.30.32
			8	3210.30.33
		 <p>LipuLift-PF-DAP</p>	<ul style="list-style-type: none"> ■ with a factory-prepared suction line made of PE-HD DN 65 (OD 75 mm), with Storz-B coupling and blind cover ■ with factory-prepared automatic high-pressure internal cleaning and disposal pump for disposal heights of up to approx. 10 meters ■ disposal, cleaning and refilling of the separator with closed covers 	NS 4
NS 7	6			3207.30.41
	8			3207.30.42
NS 10	4			3210.30.42
	8			3210.30.43




Level detection (all separators) – Order data

	Product description	Suitable for	Type	Article No.
	Pressure sensor for switching the pump technology via an electric cable Consumption 4 - 20 mA, 0 - 200 mbar	■ LipuLift-PF-B/-D/ -DA/-DAP	Cable length: 20 meter Cable length: 40 meter	0178.63.88 0178.63.87
	Dynamic pressure bell for switching the pump technology via a pneumatic measuring hose with air bubble injection Attention! Laying must be carried out without kinks, rising to the switching device	■ LipuLift-PF-B/-D	Tube length: 20 meter	0155.41.90


Raising systems (all separators type "PF") – Order data

	Product description	Suitable for	Type	Article No.
	Cover load class A according to EN 124 Cover from concrete, frame from cast iron, odour-proof, unlocked	■ Lipulift-PF series	Inlet invert: 895 – 1225 mm (NS 4)	3300.14.01
			Inlet invert: 920 – 1250 mm (NS7/10)	
	Cover load class B according to EN 124 Cover from concrete, frame from cast iron, odour-proof, locked	■ Lipulift-PF series	Inlet invert: 895 – 1875 mm (NS 4)	3300.14.02
			Inlet invert: 920 – 1900 mm (NS7/10)	
	Cover load class D according to EN 124 Cover from concrete, frame from cast iron, odour-proof, locked	■ Lipulift-PF series	Inlet invert: 1070 – 1400 mm (NS 4)	3300.15.01
			Inlet invert: 1095 – 1425 mm (NS7/10)	
			Inlet invert: 1070 – 1875 mm (NS 4)	3300.15.02
			Inlet invert: 1095 – 1900 mm (NS7/10)	
			Inlet invert: 1120 – 1875 mm (NS 4)	3300.17.00
			Inlet invert: 1145 – 1900 mm (NS 7/10)	

Raising systems 600 (all separators type “PF”) – Order data

	Product description	Suitable for	Type	Article No.
	Cover load class A according to EN 124 Cover from concrete, frame from cast iron, odour-proof, unlocked	■ Lipulift-PF series	Inlet invert: 1065 – 1170 mm (NS 4)	3300.34.11
			Inlet invert: 1090 – 1195 mm (NS7/10)	
			Inlet invert: 1065 – 1620 mm (NS 4)	3300.34.12
			Inlet invert: 1090 – 1645 mm (NS7/10)	
			Inlet invert: 1065 – 1875 mm (NS 4)	3300.34.13
			Inlet invert: 1090 – 1900 mm (NS7/10)	
	Cover load class B according to EN 124 Cover from concrete, frame from cast iron, odour-proof, locked	■ Lipulift-PF series	Inlet invert: 1100 – 1205 mm (NS 4)	3300.35.11
			Inlet invert: 1125 – 1230 mm (NS7/10)	
			Inlet invert: 1100 – 1655 mm (NS 4)	3300.35.12
			Inlet invert: 1125 – 1680 mm (NS7/10)	
			Inlet invert: 1100 – 1875 mm (NS 4)	3300.35.13
			Inlet invert: 1125 – 1900 mm (NS7/10)	
	Cover load class D according to EN 124 Cover from concrete, frame from cast iron, odour-proof, locked	■ Lipulift-PF series	Inlet invert: 1140 – 1245 mm (NS 4)	3300.37.08
			Inlet invert: 1165 – 1270 mm (NS7/10)	
			Inlet invert: 1140 – 1695 mm (NS 4)	3300.37.09
			Inlet invert: 1165 – 1720 mm (NS7/10)	
			Inlet invert: 1140 – 1875 mm (NS 4)	3300.37.10
			Inlet invert: 1165 – 1900 mm (NS7/10)	

Order Data – high pressure hose (only grease separator type „DA“ or “DAP”)

	Product description	Suitable for	Type	Article No.
	To connect a high pressure pump in the building and a high pressure cleaning head in the grease separator	■ LipuLift-P-DA/-DAP	10 meter	0150.33.62
			20 meter	0150.33.63
			30 meter	0150.33.64

ACO Grease Separator P-SD

with integrated top section



- For selected Nominal Sizes of grease separators, up to NS 5.5
- With integrated raising tube
- Load classes A, B or D
- No buoyancy protection needed if inlet invert does not exceed 800 mm



ACO Grease Separator Lipumax P-SD

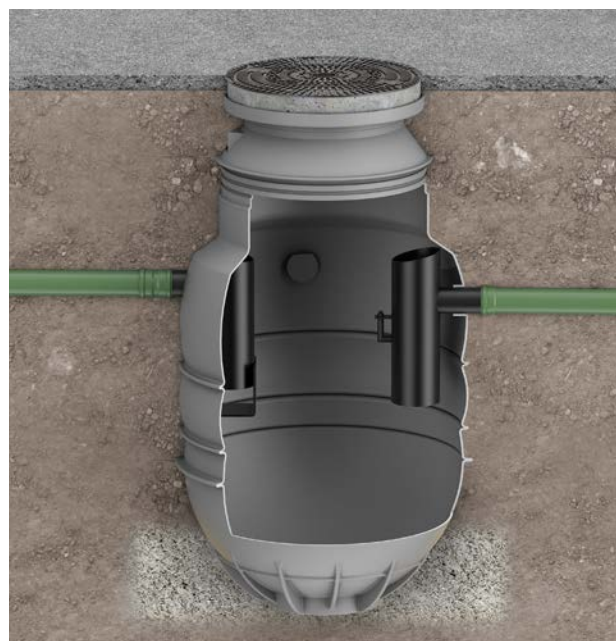
with integrated top section

Product information

Grease separator of polyethylene for below ground installation

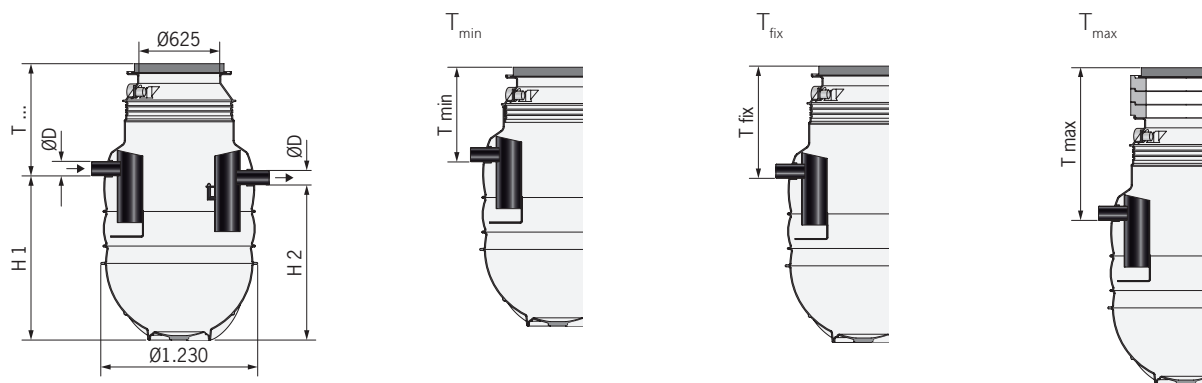
- according to EN 1825
- type test report
- 7310374-01a (NS 2 & NS 4)
- 7310372-01 (NS 5.5)
- inlet and outlet connection according to outside diameter OD depending on Nominal Size of separator
- disposal and cleaning via cover
- with integrally formed raising tube for varying inlet heights
- optionally upgradable with concrete supporting rings 60, 80 and 100 mm up to inlet invert T_{max}
- with flat ring for sealing between cover and separator

Note: Cover (accessory) is not included, page 37



Installation example shows ACO Lipumax P-SD NS4 for load class B125

Lipumax P-SD – Order data



Nominal size	Nominal width	Volume sludge trap [l]	Volume grease storage [l]	Total capacity [l]	OD [mm]	H1 [mm]	H2 [mm]	Class A/B			Weight [kg]	Article No. [grey]
								T _{min} *1 [mm]	T _{fix} *2 [mm]	T _{max} [mm]		
NS 2	DN 100	240	270	730	110	1015	945	740	870	1320	64	3202.40.00
NS 2	DN 100	515	270	1010	110	1285	1215	740	870	1320	75	3202.40.10
NS 4	DN 100	515	270	1010	110	1285	1215	740	870	1320	75	3204.40.00
NS 4	DN 100	1000	270	1475	110	1770	1700	740	870	1230	90	3204.40.10
NS 5.5	DN 150	570	230	1465	160	1745	1675	760	890	1260	93	3205.40.00

*1 load class D does not have T_{min}

*2 load class A15 and B125 only, for load class D, 270 mm have to be added

ACO Grease Separator P

with separated top section



- For selected Nominal Sizes of grease separators, up to NS 10
- With integrated raising tube
- Load classes A/B or D
- No buoyancy protection needed for load class A/B when inlet invert does not exceed 500 mm
- No buoyancy protection needed for load class D



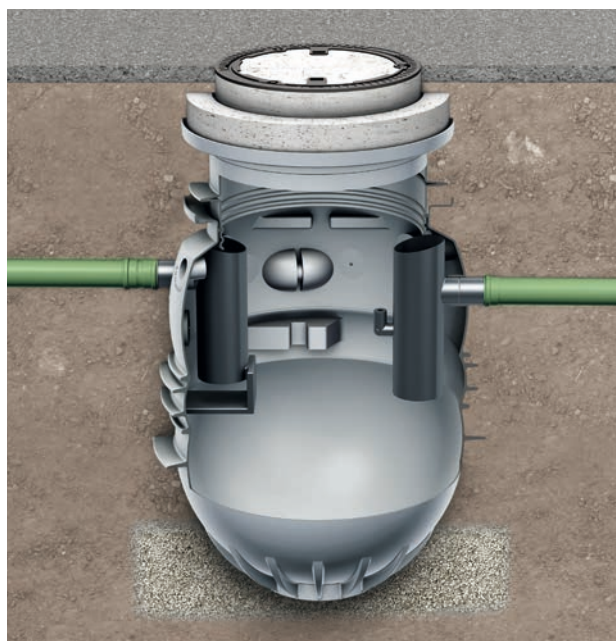
ACO Grease Separator Lipumax P-B

Basic model

Product information

Grease separator of polyethylene for below ground installation

- according to EN 1825 and DIN 4040-100
- certificate
 - 7310374-01a (NS 2, NS 4)
 - 7310372-01 (NS 5.5)
 - 7310372-02 (NS 7)
 - 7311241-01 (NS 8.5, NS 10)
- inlet and outlet connection according to outside diameter OD depending on nominal size of separator
- disposal and cleaning via cover



Installation example shows ACO Lipumax P-B NS 4 with a top section unit for load class B 125

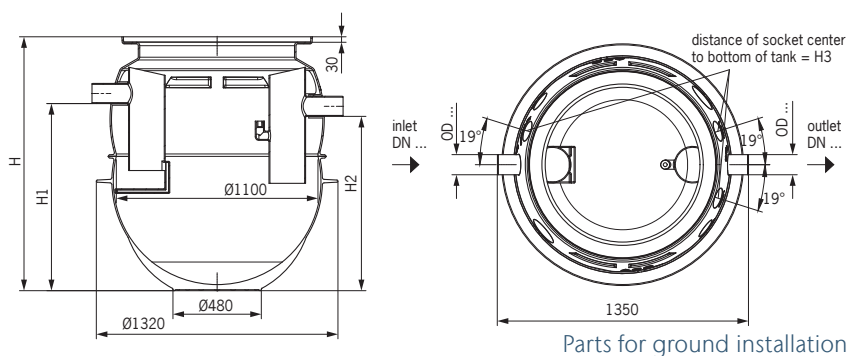
Lipumax P-B – Order data

Accessories

- sampling pots and extension elements, page 39
- grease level sensor, page 40

Note!

Always required for Lipumax P-B



Parts for ground installation

Nominal size	Nominal width	Volume sludge trap [l]	Volume grease storage [l]	Total capacity [l]	OD [mm]	H [mm]	H1 [mm]	H2 [mm]	H3 [mm]	Weight [kg]	Article No. [grey]
NS 2	DN 100	245	270	720	110	1375	1015	945	1130	63	3202.80.00
NS 2	DN 100	460	270	930	110	1595	1235	1165	1345	79	3202.80.10
NS 4	DN 100	460	270	930	110	1595	1235	1165	1345	79	3204.80.00
NS 4	DN 100	980	270	1465	110	2130	1770	1700	1880	89	3204.80.10
NS 5.5	DN 150	570	230	1465	160	2130	1745	1675	1880	93	3205.80.00
NS 5.5	DN 150	1065	230	1960	160	2610	2225	2155	2365	108	3205.80.10
NS 7	DN150	730	285	1675	160	2345	1960	1890	2100	108	3207.80.00
NS 8.5	DN 150	860	360	1900	160	2560	2175	2105	2310	115	3208.80.00
NS 10	DN150	1010	415	2170	160	2830	2445	2375	2580	125	3210.80.00

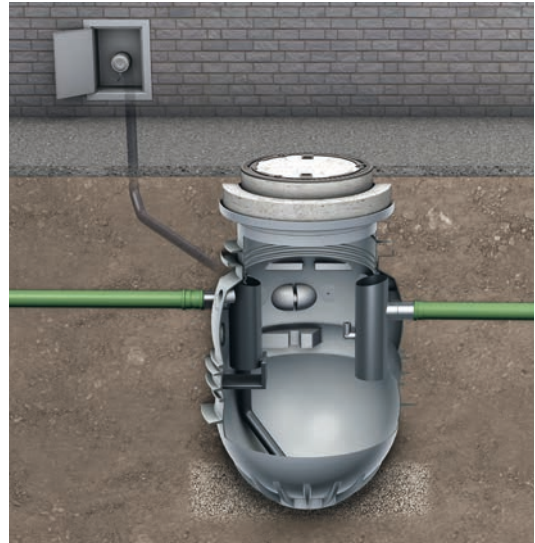
ACO Grease Separator Lipumax P-D

Extension stage 1

Product information

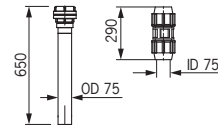
Grease separator of polyethylene for below ground installation

- according to EN 1825 and DIN 4040-100
- certificate
 - 7310374-01a (NS 2, NS 4)
 - 7310372-01 (NS 5.5)
 - 7310372-02 (NS 7)
 - 7311241-01 (NS 8.5)
 - 7311241-02 (NS 10)
- inlet and outlet connection according to outside diameter OD depending on nominal size of separator
- disposal via direct suction line DN 65, PN 10, counter flange and Storz-75 B hose quick coupling and blind cover
- cleaning via cover



Installation example shows ACO Lipumax P-D NS 4 with a top section unit for load class B 125

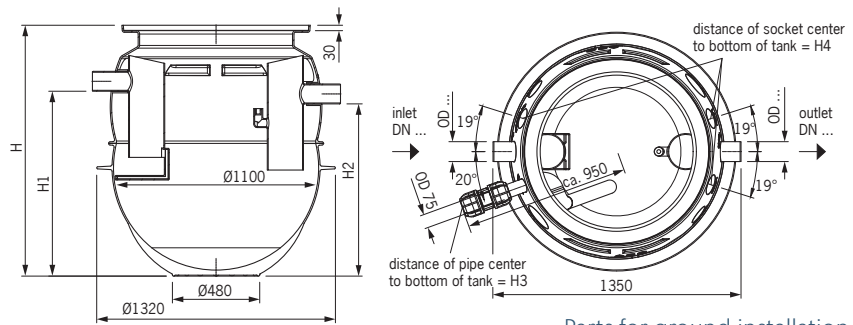
Parts for aboveground installation



Lipumax P-D – Order data

Accessories

- sampling pots and extension elements, page 39
- grease level sensor, page 40



Parts for ground installation

Note!

Always required for Lipumax P-D

Nominal size	Nominal width	Volume sludge trap [l]	Volume grease storage [l]	Total capacity [l]	OD [mm]	H [mm]	H1 [mm]	H2 [mm]	H3 [mm]	H4 [mm]	Weight [kg]	Article No. [grey]
NS 2	DN 100	245	270	720	110	1375	1015	945	1150	1130	66	3202.81.00
NS 2	DN 100	460	270	930	110	1595	1235	1165	1365	1345	81	3202.81.10
NS 4	DN 100	460	270	930	110	1595	1235	1165	1365	1345	81	3204.81.00
NS 4	DN 100	980	270	1465	110	2130	1770	1700	1900	1880	92	3204.81.10
NS 5.5	DN 150	570	230	1465	160	2130	1745	1675	1900	1880	95	3205.81.00
NS 5.5	DN 150	1065	230	1960	160	2610	2225	2155	2380	2365	111	3205.81.10
NS 7	DN150	730	285	1675	160	2345	1960	1890	2120	2100	111	3207.81.00
NS 8.5	DN 150	860	360	1900	160	2560	2175	2105	2330	2310	118	3208.81.00
NS 10	DN150	1010	415	2170	160	2830	2445	2375	2600	2580	128	3210.81.00

ACO Grease Separator Lipumax P-DM

Extension stage 2

Product information

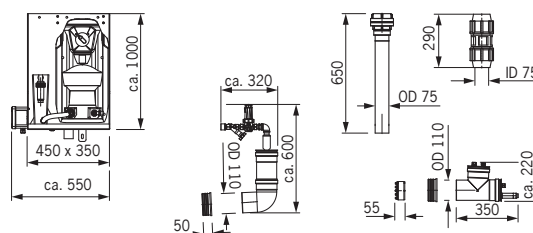
Grease separator of polyethylene for below ground installation

- according to EN 1825, DIN 4040-100
- certificate
 - 7310374-01a (NS 2, NS 4)
 - 7310372-01 (NS 5.5)
 - 7310372-02 (NS 7)
 - 7311241-01 (NS 8.5)
 - 7311241-02 (NS 10)
- inlet and outlet connection according to outside diameter OD depending on nominal size of separator
- disposal via direct suction line DN 65, PN 10, counter flange and Storz-75 B hose quick coupling and blind cover
- filling device ¾" with manual operated ball valve to be installed inside a building with cold water supply
- high pressure internal cleaning
 - high-pressure pump with storage tank to be installed inside a building with cold water supply
 - manual controlled disposal
 - nominal pressure: 175 bar
 - flow rate: 13 litre/minute
 - electrical connection: 400 V/ 50 Hz/16 A/3,9 kW



Installation example shows ACO Lipumax P-DM NS 4 with a top section unit for load class B 125

Parts for aboveground installation



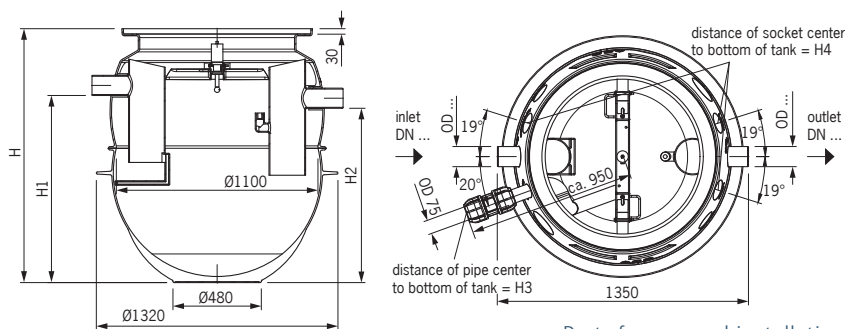
Lipumax P-DM – Order data

Accessories

- sampling pots and extension elements, page 39
- grease level sensor, page 40
- high-pressure hose, page 41

Note!

Always required for Lipumax P-DM



Parts for ground installation

Nominal size	Nominal width	Volume sludge trap [l]	Volume grease storage [l]	Total capacity [l]	OD [mm]	H [mm]	H1 [mm]	H2 [mm]	H3 [mm]	H4 [mm]	Weight [kg]	Article No. [grey]
NS 2	DN 100	245	270	720	110	1375	1015	945	1150	1130	119	3202.82.00
NS 2	DN 100	460	270	930	110	1595	1235	1165	1365	1345	134	3202.82.10
NS 4	DN 100	460	270	930	110	1595	1235	1165	1365	1345	134	3204.82.00
NS 4	DN 100	980	270	1465	110	2130	1770	1700	1900	1880	145	3204.82.10
NS 5.5	DN 150	570	230	1465	160	2130	1745	1675	1900	1880	148	3205.82.00
NS 5.5	DN 150	1065	230	1960	160	2610	2225	2155	2380	2365	164	3205.82.10
NS 7	DN150	730	285	1675	160	2345	1960	1890	2120	2100	164	3207.82.00
NS 8.5	DN 150	860	360	1900	160	2560	2175	2105	2330	2310	171	3208.82.00
NS 10	DN150	1010	415	2170	160	2830	2445	2375	2600	2580	181	3210.82.00

ACO Grease Separator Lipumax P-DA

Extension stage 3

Product information

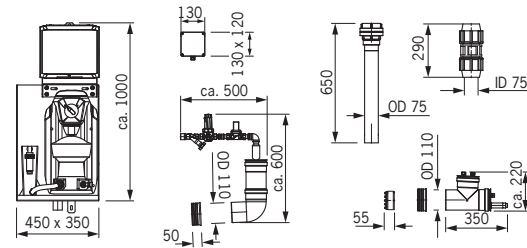
Grease separator of polyethylene for below ground installation

- according to EN 1825, DIN 4040-100
- certificate
 - 7310374-01a (NS 2, NS 4)
 - 7310372-01 (NS 5.5)
 - 7310372-02 (NS 7)
 - 7311241-01 (NS 8.5)
 - 7311241-02 (NS 10)
- inlet and outlet connection according to outside diameter OD depending on nominal size of separator
- disposal via direct suction line DN 65, PN 10, counter flange and Storz-75 B hose quick coupling and blind cover
- filling device 3/4" with solenoid valve to be installed inside a building with cold water supply
- high pressure internal cleaning
 - high-pressure pump with storage tank to be installed inside a building with cold water supply
 - automatic program controlled disposal via remote control
 - nominal pressure: 175 bar
 - flow rate: 13 litre/minute
 - electrical connection: 400 V/ 50 Hz/16 A/3,9 kW



Installation example shows ACO Lipumax P-DA NS 4 with a top section unit for load class B 125

Parts for aboveground installation



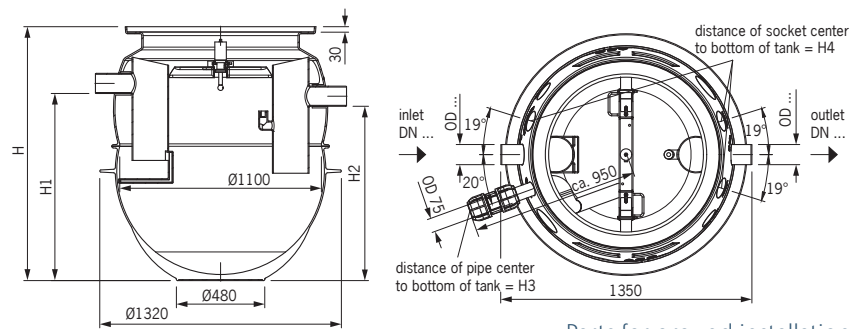
Lipumax P-DA – Order data

Accessories

- sampling pots and extension elements, page 39
- grease level sensor, page 40
- high-pressure hose, page 41

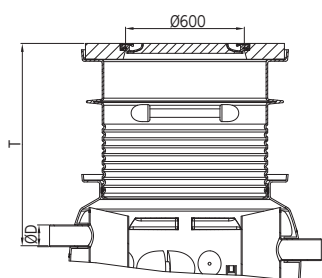
Note!

Always required for Lipumax P-DA



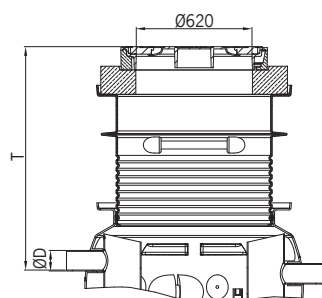
Parts for ground installation

Nominal size	Nominal width	Volume sludge trap [l]	Volume grease storage [l]	Total capacity [l]	OD [mm]	H [mm]	H1 [mm]	H2 [mm]	H3 [mm]	H4 [mm]	Weight [kg]	Article No. [grey]
NS 2	DN 100	245	270	720	110	1375	1015	945	1150	1130	123	3202.83.00
NS 2	DN 100	460	270	930	110	1595	1235	1165	1365	1345	138	3202.83.10
NS 4	DN 100	460	270	930	110	1595	1235	1165	1365	1345	138	3204.83.00
NS 4	DN 100	980	270	1465	110	2130	1770	1700	1900	1880	149	3204.83.10
NS 5.5	DN 150	570	230	1465	160	2130	1745	1675	1900	1880	152	3205.83.00
NS 5.5	DN 150	1065	230	1960	160	2610	2225	2155	2380	2365	167	3205.83.10
NS 7	DN150	730	285	1675	160	2345	1960	1890	2120	2100	168	3207.83.00
NS 8.5	DN 150	860	360	1900	160	2560	2175	2105	2330	2310	175	3208.83.00
NS 10	DN150	1010	415	2170	160	2830	2445	2375	2600	2580	185	3210.83.00

Top section 800, load class A 15 – Order data

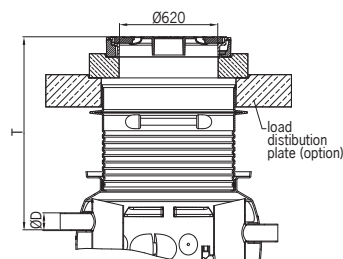
- load class A 15 according to EN 124
- frame from concrete, cover from cast iron
- clear opening Ø 600 mm
- cover odour proof sealed
- raising tube from polyethylene (only included with top section 3300.14.01 and 3300.14.02)

	NS 2 ST 200	NS 2 ST 400	NS 4 ST 400	NS 4 ST 800	NS 5.5 ST 550	NS 5.5 ST 1100	NS 7 ST 700	NS 8.5 ST 850	NS 10 ST 1000	Weight	Article No.
										[kg]	[grey]
T	425	425	425	425	450	450	450	450	450	142	3300.14.00
T [mm]	760-1040	760-1040	760-1040	760-1040	785-1065	785-1065	785-1065	785-1065	785-1065	170	3300.14.01
	760-1985	760-1765	760-1765	760-1830	785-1855	785-1375	785-1640	785-1425	785-1155	193	3300.14.02

Top section 800, load class B 125 – Order data

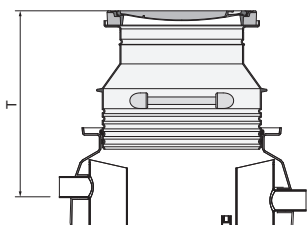
- load class B 125 according to EN 124
- frame from concrete, SAKU cover from polyethylene
- clear opening Ø 600 mm
- cover odour proof sealed
- adapter plate from concrete Ø 1000 mm x 150 mm
- raising tube from polyethylene (only included with top section 3300.15.01 and 3300.15.02)

	NS 2 ST 200	NS 2 ST 400	NS 4 ST 400	NS 4 ST 800	NS 5.5 ST 550	NS 5.5 ST 1100	NS 7 ST 700	NS 8.5 ST 850	NS 10 ST 1000	Weight	Article No.
										[kg]	[grey]
T	600	600	600	600	625	625	625	625	625	220	3300.15.00
T [mm]	935-1215	935-1215	935-1215	935-1215	960-1240	960-1240	960-1240	960-1240	960-1155	307	3300.15.01
	935-1985	935-1765	935-1765	935-1830	960-1855	960-1375	960-1640	960-1425	960-1155	330	3300.15.02

Top section 800, load class D 400 – Order data

- load class D 400 according to EN 124
- frame from concrete, cover from cast iron
- clear opening Ø 600 mm
- cover odour proof sealed
- adapter plate from concrete Ø 1000 mm x 150 mm
- raising tube from polyethylene
- selectively with load distribution plate from concrete Ø 1500 mm x 200 mm

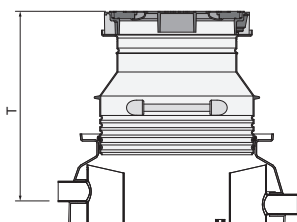
	NS 2 ST 200	NS 2 ST 400	NS 4 ST 400	NS 4 ST 800	NS 5.5 ST 550	NS 5.5 ST 1100	NS 7 ST 700	NS 8.5 ST 850	NS 10 ST 1000	Weight	Article No.
										[kg]	[grey]
T [mm] without load distribution plate	935-1985	935-1765	935-1765	935-1830	960-1855	960-1375	960-1640	960-1425	960-1155	330	3300.17.00
T [mm] with load distribution plate	935-1985	935-1765	935-1765	935-1830	960-1855	960-1375	960-1640	960-1425	960-1155	1030	3300.16.00

Top section 600, load class A 15 – Order data

- load class A 15 according to EN 124
- frame from concrete, cover from cast iron
- clear opening \varnothing 600 mm
- cover odour proof sealed
- raising tube from polyethylene

*installation height can also be achieved with item 3300.34.12

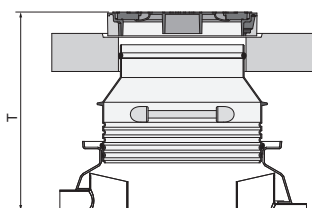
	NS 2	NS 2	NS 4	NS 4	NS 5.5	NS 5.5	NS 7	NS 8.5	NS 10	Weight	Article No.	
	ST 200	ST 400	ST 400	ST 800	ST 550	ST 1100	ST 700	ST 850	ST 1000			
											[kg]	[grey]
T [mm]	870-990	870-990	870-990	870-990	895-1015	895-1015	895-1015	895-1015	895-1015	895-1015	107	3300.34.11
	870-1440	870-1440	870-1440	870-1440	895-1465	895-1375	895-1465	895-1425	895-1155	895-1155	111	3300.34.12
	870-1985	870-1765	870-1765	870-1830	895-1855	895-1375*	895-1640	895-1425*	895-1155*	895-1155*	119	3300.34.13

Top section 600, load class B 125 – Order data

- load class B 125 according to EN 124
- frame from concrete, SAKU cover from polyethylene
- clear opening \varnothing 600 mm
- cover odour proof sealed
- raising tube from polyethylene

*installation height can also be achieved with item 3300.35.12

	NS 2	NS 2	NS 4	NS 4	NS 5.5	NS 5.5	NS 7	NS 8.5	NS 10	Weight	Article No.	
	ST 200	ST 400	ST 400	ST 800	ST 550	ST 1100	ST 700	ST 850	ST 1000			
											[kg]	[grey]
T [mm]	905-1025	905-1025	905-1025	905-1025	930-1050	930-1050	930-1050	930-1050	930-1050	930-1050	85	3300.35.11
	905-1475	905-1475	905-1475	905-1475	930-1500	930-1375	930-1500	930-1425	930-1155	930-1155	89	3300.35.12
	905-1985	905-1765	905-1765	905-1830	930-1855	930-1375*	930-1640	930-1425*	930-1155*	930-1155*	97	3300.35.13

Top section 600, load class D 400 – Order data

- load class D 400 according to EN 124
- frame from concrete, cover from cast iron
- clear opening \varnothing 600 mm
- cover odour proof sealed
- adapter plate from concrete \varnothing 1000 mm x 150 mm
- raising tube from polyethylene
- selectively with load distribution plate from concrete \varnothing 1500 mm x 200 mm

Load distribution plate	Raising tube length	NS 2	NS 2	NS 4	NS 4	NS 5.5	NS 5.5	NS 7	NS 8.5	NS 10	Weight	Article No.	
		ST 200	ST 400	ST 400	ST 800	ST 550	ST 1100	ST 700	ST 850	ST 1000			
												[kg]	[grey]
with	short	915-1035	915-1035	915-1035	915-1035	940-1060	940-1060	940-1060	940-1060	940-1060	850	3300.36.08	
with	medium	915-1485	915-1485	915-1485	915-1485	940-1510	940-1375	940-1510	940-1425	940-1155	864	3300.36.09	
with	long	915-1985	915-1765	915-1765	915-1830	940-1855	940-1375	940-1640	940-1425	940-1155	870	3300.36.10	
without	short	915-1035	915-1035	915-1035	915-1035	940-1060	940-1060	940-1060	940-1060	940-1060	130	3300.37.08	
without	medium	915-1485	915-1485	915-1485	915-1485	940-1510	940-1375	940-1510	940-1425	940-1155	144	3300.37.09	
without	long	915-1985	915-1765	915-1765	915-1830	940-1855	940-1375	940-1640	940-1425	940-1155	150	3300.37.10	

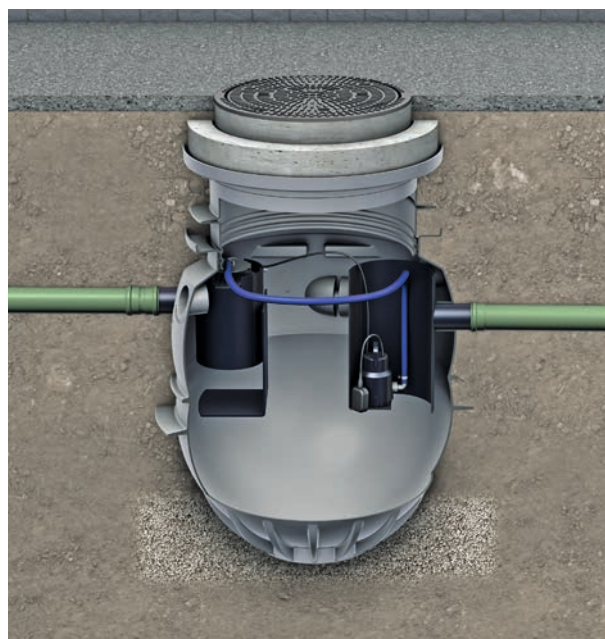
ACO Starch Separator Fapumax P-B

Basic Model

Product information

Starch separator of polyethylene for below ground installation

- inlet and outlet connection according to outside diameter OD depending on nominal size of separator
- spray power head to rinse off the starch
- circular pump for operation of the spray shower
- control unit for operation of circular pump via potato peeling machine
- disposal and cleaning via cover



Installation example shows ACO Fapumax P-B NS 1 with a top section unit for load class B 125

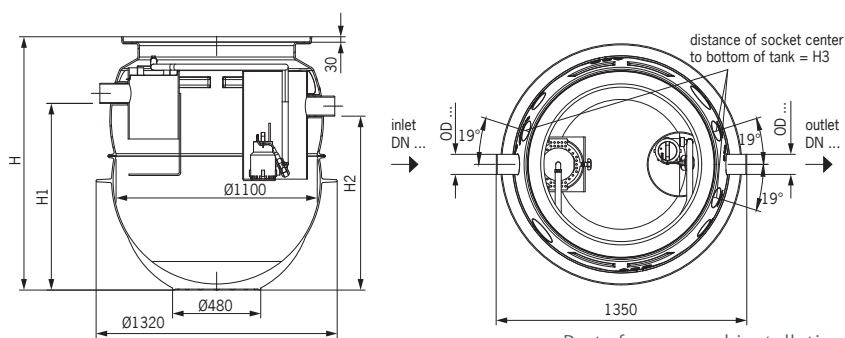
Fapumax P-B – Order data

Accessories

- sampling pots and extension elements, page 39

Note!

Always required for Fapumax P-B



Parts for ground installation

Nominal size	Nominal width	Total capacity	OD	H	H1	H2	H3	Weight	Article No.
		[l]	[mm]	[mm]	[mm]	[mm]	[mm]	[kg]	[grey]
NS 1	DN 100	720	110	1375	1015	945	1130	65	3301.80.00
NS 2	DN 150	1465	160	2130	1745	1675	1880	95	3302.80.00
NS 3	DN 150	2170	160	2830	2445	2375	2580	127	3303.80.00

ACO Starch Separator Fapumax P-DA

Extension stage 3

Product information

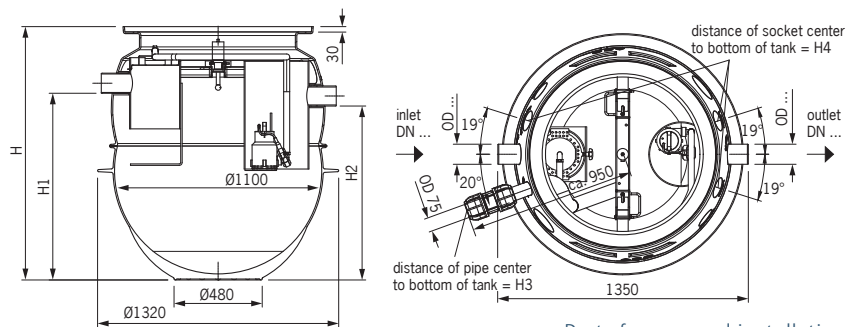
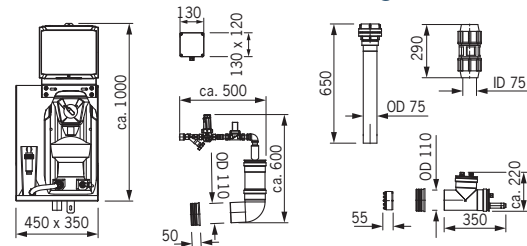
Starch separator of polyethylene for below ground installation

- inlet and outlet connection according to outside diameter OD depending on nominal size of separator
- spray power head to rinse off the starch
- circular pump for operation of the spray shower
- control unit for operation of circular pump via potato peeling machine
- disposal via direct suction line DN 65, PN 10, counter flange and Storz-75 B hose quick coupling and blind cover
- filling device 3/4" with solenoid valve to be installed inside a building with cold water supply
- high pressure internal cleaning
 - high-pressure pump with storage tank to be installed inside a building with cold water supply
 - automatic program controlled disposal via remote control
 - nominal pressure: 175 bar
 - flow rate: 13 litre/minute nominal pressure: 175 bar
 - electrical connection: 400 V/ 50 Hz/16 A/3,9 kW



Installation example shows ACO Fapumax P-DA NS 1 with a top section for load class B 125

Parts for aboveground installation



Parts for ground installation

Lipumax P-DA – Order data

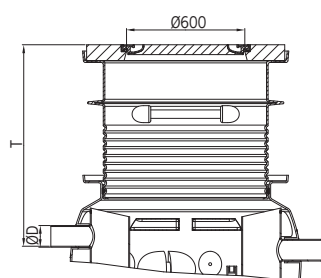
Accessories

- sampling pots and extension elements, page 39
- high-pressure hose, page 41

Note!

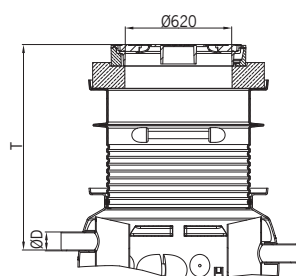
Always required for Fapumax P-DA

Nominal size	Nominal width	Total capacity	OD	H	H1	H2	H3	H4	Weight	Article No.
		[l]	[mm]	[mm]	[mm]	[mm]	[mm]	[mm]	[kg]	[grey]
NS 1	DN 100	720	110	1375	1015	945	1150	1130	125	3301.83.00
NS 2	DN 150	1465	160	2130	1745	1675	1900	1880	155	3302.83.00
NS 3	DN 150	2170	160	2830	2445	2375	2600	2580	187	3303.83.00

Top section 800, load class A 15 – Order data

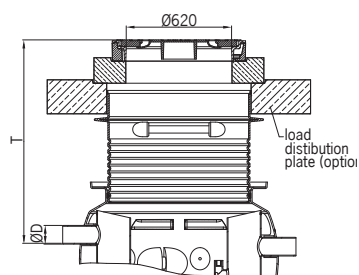
- load class A 15 according to EN 124
- frame from concrete, cover from cast iron
- clear opening \varnothing 600 mm
- cover odour proof sealed
- raising tube from polyethylene (only included with top section 3300.14.01 and 3300.14.02)

	NS 1	NS 2	NS 3	Weight	Article No.
				[kg]	[grey]
T [mm]	425	450	450	142	3300.14.00
	760–1040	785–1065	785–1065	170	3300.14.01
	760–1985	785–1855	785–1155	193	3300.14.02

Top section 800, load class B 125 – Order data

- load class B 125 according to EN 124
- frame from concrete, SAKU cover from polyethylene
- clear opening \varnothing 600 mm
- cover odour proof sealed
- adapter plate from concrete \varnothing 1000 mm x 150 mm
- raising tube from polyethylene (only included with top section 3300.15.01 and 3300.15.02)

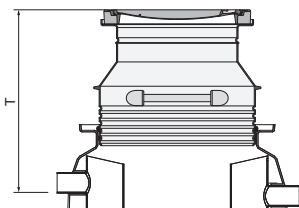
	NS 1	NS 2	NS 3	Weight	Article No.
				[kg]	[grey]
T [mm]	600	625	625	220	3300.15.00
	935–1215	960–1240	960–1240	307	3300.15.01
	935–1985	960–1855	960–1155	330	3300.15.02

Top section 800, load class D 400 – Order data

- load class D 400 according to EN 124
- frame from concrete, cover from cast iron
- clear opening \varnothing 600 mm
- cover odour proof sealed
- adapter plate from concrete \varnothing 1000 mm x 150 mm
- raising tube from polyethylene
- selectively with load distribution plate from concrete \varnothing 1500 mm x 200 mm

	NS 1	NS 2	NS 3	Weight	Article No.
				[kg]	[grey]
T [mm] without load distribution plate	935–1985	960–1855	960–1155	330	3300.17.00
T [mm] with load distribution plate	935–1985	960–1855	960–1155	1030	3300.16.00

Top section 600, load class A 15 – Order data

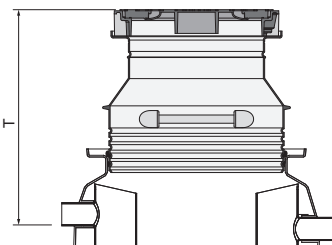


- load class A 15 according to EN 124
- frame from concrete, cover from cast iron
- clear opening Ø 600 mm
- cover loosely applied
- raising tube from polyethylene

*installation height can also be achieved with item 3300.34.12

	NS 1	NS 2	NS 3	Weight	Article No.
				[kg]	[grey]
T [mm]	870-990	895-1015	895-1015	107	3300.34.11
	870-1440	895-1465	895-1155	111	3300.34.12
	870-1985	895-1855	895-1155*	119	3300.34.13

Top section 600, load class B 125 – Order data

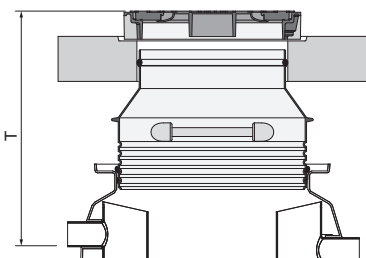


- load class B 125 according to EN 124
- frame from concrete, SAKU cover from polyethylene
- clear opening Ø 600 mm
- cover loosely applied
- raising tube from polyethylene

*installation height can also be achieved with item 3300.35.12

	NS 1	NS 3	NS 3	Weight	Article No.
				[kg]	[grey]
T [mm]	905-1025	930-1050	930-1050	85	3300.35.11
	905-1475	930-1500	930-1155	89	3300.35.12
	905-1985	930-1855	930-1155*	97	3300.35.13

Top section 600, load class D 400 – Order data



- load class D 400 according to EN 124
- frame from concrete, cover from cast iron
- clear opening Ø 600 mm
- cover loosely applied
- raising tube from polyethylene
- selectively with load distribution plate from concrete
Ø 1500 mm x 200 mm

Load distribution plate	Raising tube length	NS 1	NS 2	NS 3	Weight	Article No.
					[kg]	[grey]
with	short	915-1035	940-1060	940-1060	850	3300.36.08
with	medium	915-1485	940-1510	940-1155	864	3300.36.09
with	long	915-1985	940-1855	940-1155	870	3300.36.10
without	short	915-1035	940-1060	940-1060	130	3300.37.08
without	medium	915-1485	940-1510	940-1155	144	3300.37.09
without	long	915-1985	940-1855	940-1155	150	3300.37.10

ACO Light Liquid Separator P-SD

with integrated top section



- For selected Nominal Sizes of light liquid separators
- With integrated raising tube
- Load classes A, B or D
- No buoyancy protection needed if inlet invert does not exceed 800 mm



ACO Light Liquid Separator Oleopator P-SD

Product information

Light liquid separator of polyethylene for below ground installation

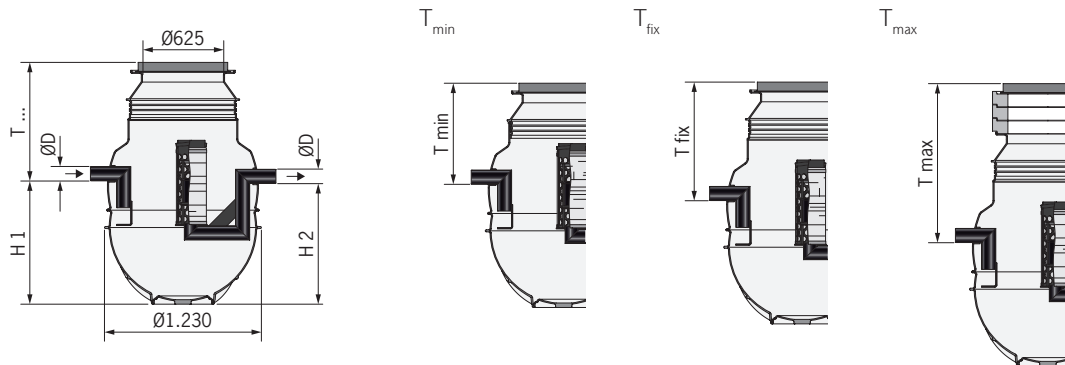
- according to EN 858
- type test report
 - 7310434-01 (NS 3)
 - 7310434-02 (NS 6)
 - 7310434-03 (NS 8)
 - 7310434-03 (NS 10)
- inlet and outlet connection according to outside diameter OD depending on Nominal Size of separator
- inlet and outlet parts of polyethylene
- with integrated removable coalescing filter
- automatic closure device with float switch, density of float switch: 0.9 g/cm³
- disposal and cleaning via cover
- with integrally formed raising tube for varying inlet heights
- optionally upgradable with concrete supporting rings 60, 80 and 100 mm up to inlet invert Tmax



Installation example shows ACO Oleopator P-SD NS 3 for load class B125

Note: Cover (accessory) is not included, page 37

Oleopator P-SD – Order data



Nominal size	Nominal width	Volume sludge trap [l]	Volume oil storage [l]	Total capacity [l]	OD [mm]	H1 [mm]	H2 [mm]	Class A/B			Weight [kg]	Article No. [grey]
								Tmin* ¹ [mm]	Tfix* ² [mm]	Tmax [mm]		
NS 3/300	DN 100	380	240	730	110	960	940	845	975	1375	68	3903.40.00
NS 3/600	DN 100	660	240	1000	110	1230	1210	845	975	1375	79	3913.40.00
NS 3/900	DN 100	930	240	1270	110	1445	1425	845	975	1375	84	3923.40.00
NS 6/600	DN 150	700	235	1040	160	1255	1235	815	955	1345	86	3906.40.00
NS 6/1200	DN 150	1180	235	1530	160	1740	1720	815	955	1265	101	3916.40.00
NS 8/800	DN 150	780	260	1250	160	1470	1450	815	955	1345	96	3908.40.00
NS 10/1000	DN 150	1060	260	1530	160	1740	1720	815	955	1265	105	3910.40.00

*¹ load class D does not have Tmin

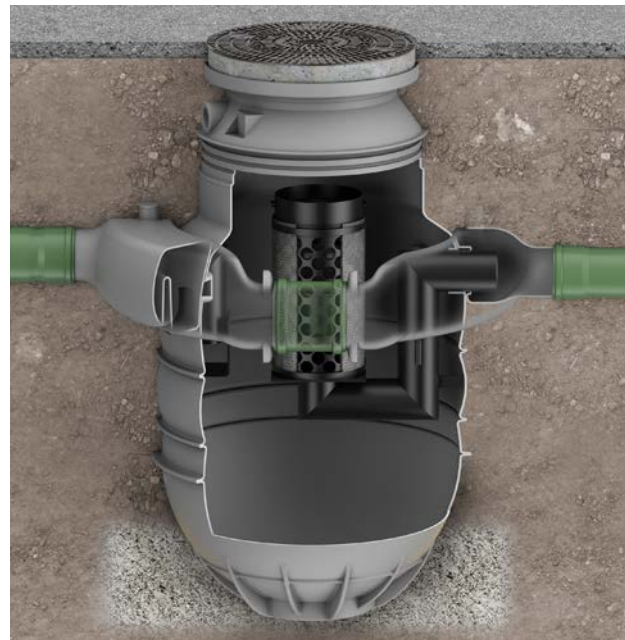
*² load class A15 and B125 only, for load class D, 270 mm have to be added

ACO Light Liquid Separator Oleopass P-SD

Product information

Light liquid separator of polyethylene for below ground installation

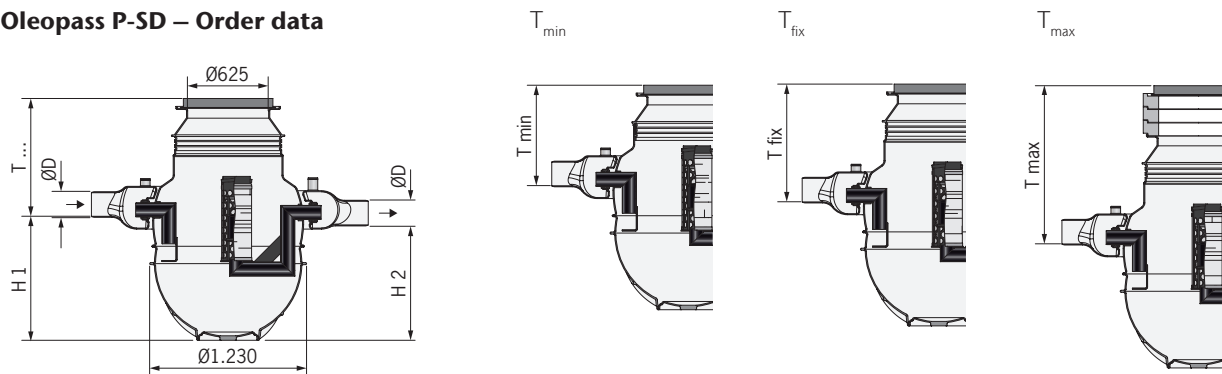
- according to EN 858
- type test report
 - 7310434-01 (NS 3)
 - 7310434-02 (NS 6)
 - 7310434-03 (NS 8)
 - 7310434-03 (NS 10)
- inlet and outlet connection according to outside diameter OD depending on Nominal Size of separator
- inlet and outlet parts of polyethylene
- with integrated removable coalescing filter
- automatic closure device with float switch, density of float switch: 0.9 g/cm³
- with bypass of polyethylene
- disposal and cleaning via cover
- with integrally formed raising tube for varying inlet heights
- optionally upgradable with concrete supporting rings 60, 80 and 100 mm up to inlet invert T_{max}



Installation example shows ACO Oleopass P-SD NS3 for load class B125

Note: Cover (accessory) is not included, page 37

Oleopass P-SD – Order data



Nominal size	Total flow rate [l/s]	Nominal width DN	Volume sludge trap [l]	Volume oil storage [l]	Total capacity [l]	OD [mm]	H1 [mm]	H2 [mm]	Class A/B			Weight [kg]	Article No. [grey]
									Tmin* ¹ [mm]	Tfix* ² [mm]	Tmax [mm]		
NS 3/300	15	DN 200	380	240	730	200	960	895	845	975	1375	93	3903.41.00
NS 3/600	15	DN 200	660	240	1000	200	1230	1165	845	975	1375	104	3913.41.00
NS 3/900	30	DN 200	930	240	1270	200	1445	1380	845	975	1375	109	3923.41.00
NS 6/600	30	DN 250	700	235	1040	250	1255	1190	815	955	1345	123	3906.41.00
NS 6/1200	30	DN 250	1180	235	1530	250	1740	1675	815	955	1265	128	3916.41.00
NS 8/800	50	DN 250	780	260	1250	250	1470	1405	815	955	1345	124	3908.41.00
NS 10/1000	50	DN 250	1060	260	1530	250	1740	1675	815	955	1265	133	3910.41.00

*¹ load class D does not have Tmin

*² load class A15 and B125 only, for load class D, 270 mm have to be added

ACO Light Liquid Separator P

with separated top section



- For selected Nominal Sizes of light oil separators
- With integrated raising tube
- Load classes A/B or D
- No buoyancy protection needed for load class A/B when inlet invert does not exceed 500 mm
- No buoyancy protection needed for load class D



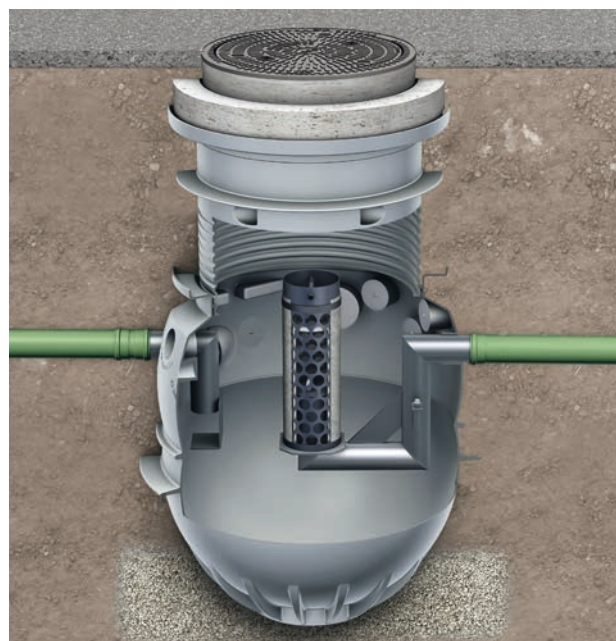
ACO Light Liquid Separator Oleopator P

Class I

Product information

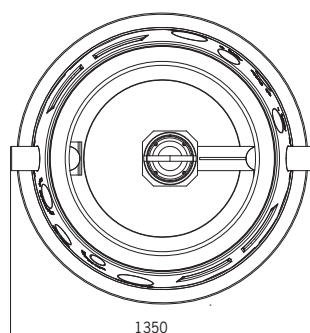
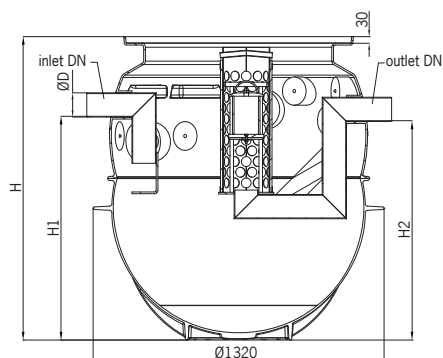
Light liquid separator of polyethylene for below ground installation

- according to EN 858
- certificate
 - 7310434-01 (NS 3)
 - 7310434-02 (NS 6)
 - 7310434-03 (NS 8)
 - 7310434-03 (NS 10)
- inlet and outlet connection according to outside diameter OD depending on nominal size of separator
- inlet and outlet parts of polyethylene
- with integrated removable coalescing filter
- automatic closure device with float switch, density of float switch: 0.9 g/cm³



Installation example shows ACO Oleopator P NS 3 with a top section unit for load class B 125

Oleopator P – Order data



Accessories

- sampling pots and extension elements, page 39
- alarm device, page 41

Nominal size	Nominal width	Volume sludge trap	Volume oil storage	Total capacity	OD	H	H1	H2	Weight	Article No.
		[l]	[l]	[l]	[mm]	[mm]	[mm]	[mm]	[kg]	[grey]
NS 3	DN 100	450	240	775	110	1375	1015	995	67	3903.80.00
NS 3	DN 100	670	240	995	110	1595	1235	1215	83	3913.80.00
NS 3	DN 100	950	240	1280	110	1865	1505	1485	84	3923.80.00
NS 6	DN 150	660	235	970	160	1595	1210	1190	91	3906.80.00
NS 6	DN 150	1210	235	1525	160	2130	1745	1725	101	3916.80.00
NS 8	DN 150	820	260	1250	160	1865	1480	1460	94	3908.80.00
NS 10	DN 150	1080	260	1615	160	2130	1745	1725	105	3910.80.00

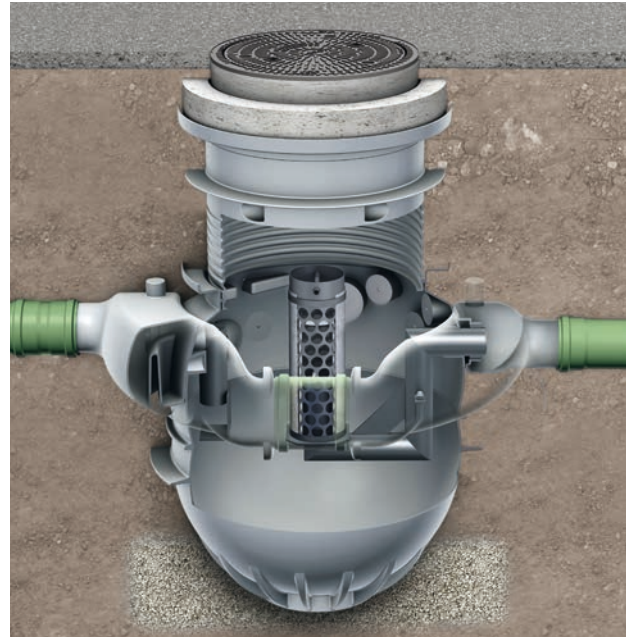
ACO Light Liquid Separator Oleopass P

Class I with bypass

Product information

Light liquid separator of polyethylene for below ground installation

- according to EN 858
- certificate
 - 7310434-01 (NS 3)
 - 7310434-02 (NS 6)
 - 7310434-03 (NS 8)
 - 7310434-03 (NS 10)
- inlet and outlet connection according to outside diameter D depending on nominal size of separator
- inlet and outlet parts of polyethylene
- with integrated removable coalescing filter
- automatic closure device with float switch, density of float switch: 0.9 g/cm³
- with bypass of polyethylene

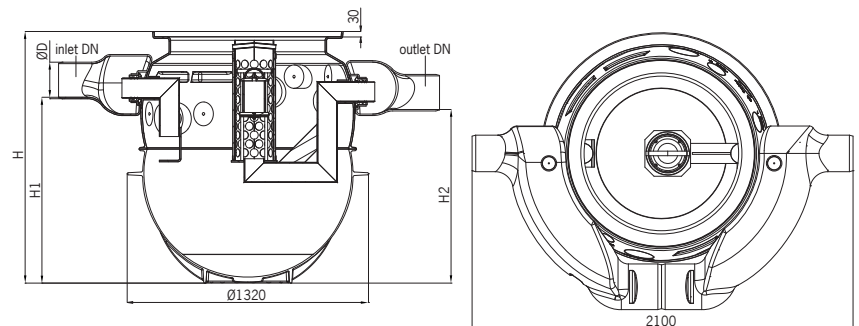


Installation example shows ACO Oleopass P NS 3 with a top section unit for load class B 125 for load class B 125

Oleopass P – Order data

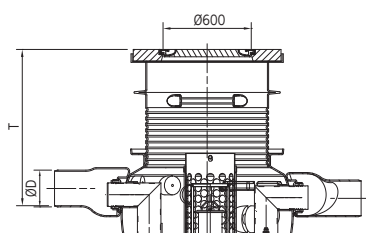
Accessories

- sampling pots and extension elements, page 39
- alarm device, page 41



Nominal size	Nominal width	Total flow rate	Volume sludge trap	Volume oil storage	Total capacity	D	H	H1	H2	Weight	Article No.
		[l/s]	[l]	[l]	[l]	[mm]	[mm]	[mm]	[mm]	[kg]	[grey]
NS 3	DN 200	15	450	240	775	200	1375	1015	945	90	3903.81.00
NS 3	DN 200	15	670	240	995	200	1595	1235	1165	106	3913.81.00
NS 3	DN 200	15	950	240	1280	200	1865	1505	1435	107	3923.81.00
NS 6	DN 250	30	660	235	970	250	1595	1210	1140	114	3906.81.00
NS 6	DN 250	30	1210	235	1525	250	2130	1745	1675	124	3916.81.00
NS 8	DN 250	50	820	260	1250	250	1865	1480	1410	104	3908.81.00
NS 10	DN 250	50	1080	260	1615	250	2130	1745	1675	130	3910.81.00

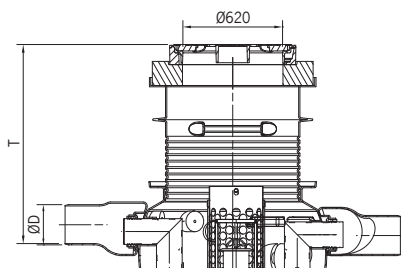
Top section 800, load class A 15 – Order data



- load class A 15 according to EN 124
- frame from concrete, cover from cast iron
- clear opening Ø 600 mm
- cover loosely applied
- raising tube from polyethylene (only included with top section 3301.14.01 and 3301.14.02)

	NS 3 ST 300	NS 3 ST 600	NS 3 ST 900	NS 6 ST 600	NS 6 ST 1200	NS 8 ST 800	NS 10 ST 1000	Weight	Article No.
								[kg]	[grey]
T	425	425	425	450	450	450	450	145	3301.14.00
T [mm]	760–1040	760–1040	760–1040	785–1065	785–1065	785–1065	785–1065	170	3301.14.01
	760–1985	760–1765	760–1495	785–1790	785–1855	785–1520	785–1855	193	3301.14.02

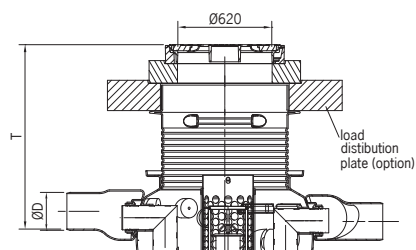
Top section 800, load class B 125 – Order data



- load class B 125 according to EN 124
- frame from concrete, SAKU cover from polyethylene
- clear opening Ø 600 mm
- cover loosely applied
- adapter plate from concrete Ø 1000 mm x 150 mm
- raising tube from polyethylene (only included with top section 3301.15.01 and 3301.15.02)

	NS 3 ST 300	NS 3 ST 600	NS 3 ST 900	NS 6 ST 600	NS 6 ST 1200	NS 8 ST 800	NS 10 ST 1000	Weight	Article No.
								[kg]	[grey]
T	600	600	600	625	625	625	625	237	3301.15.00
T [mm]	935–1215	935–1215	935–1215	960–1240	960–1240	960–1240	960–1240	262	3301.15.01
	935–1985	935–1765	935–1495	960–1790	960–1855	960–1520	960–1855	285	3301.15.02

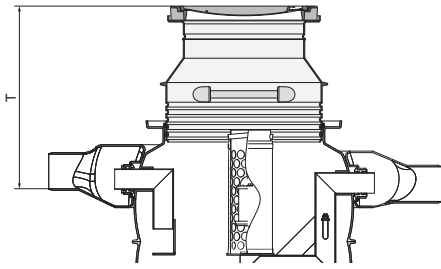
Top section 800, load class D 400 – Order data



- load class D 400 according to EN 124
- frame from concrete, cover from cast iron
- clear opening Ø 600 mm
- cover loosely applied
- adapter plate from concrete Ø 1000 mm x 150 mm
- raising tube from polyethylene
- selectively with load distribution plate from concrete Ø 1500 mm x 200 mm

	NS 3 ST 300	NS 3 ST 600	NS 3 ST 900	NS 6 ST 600	NS 6 ST 1200	NS 8 ST 800	NS 10 ST 1000	Weight	Article No.
								[kg]	[grey]
T [mm] without load distribution plate	935–1985	935–1765	935–1495	960–1790	960–1855	960–1520	960–1855	285	3301.17.00
T [mm] with load distribution plate	935–1985	935–1765	935–1495	960–1790	960–1855	960–1520	960–1855	985	3301.16.00

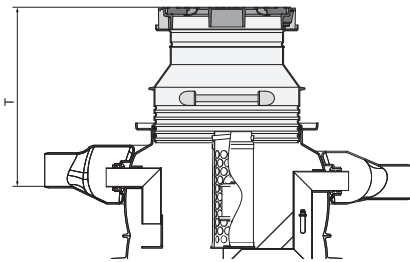
Top section 600, load class A 15 – Order data



- load class A 15 according to EN 124
- frame from concrete, cover from cast iron
- clear opening Ø 600 mm
- cover loosely applied
- raising tube from polyethylene

	NS 3	NS 3	NS 3	NS 6	NS 6	NS 8	NS 10	Weight	Article No.
	ST 300	ST 600	ST 900	ST 600	ST 550	ST 800	ST 1000		
								[kg]	[grey]
T [mm]	870-990	870-990	870-990	895-1015	895-1015	895-1015	895-1015	96	3301.34.11
	870-1440	870-1440	870-1440	895-1465	895-1465	895-1465	895-1465	104	3301.34.12
	870-1985	870-1765	870-1495	895-1790	895-1855	895-1520	895-1855	115	3301.34.13

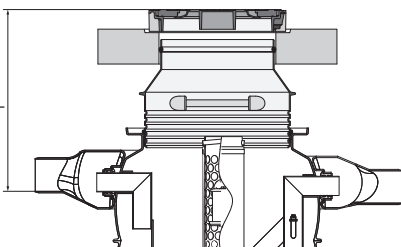
Top section 600, load class B 125 – Order data



- load class B 125 according to EN 124
- frame from concrete, SAKU cover from polyethylene
- clear opening Ø 600 mm
- cover loosely applied
- raising tube from polyethylene

	NS 3	NS 3	NS 3	NS 6	NS 6	NS 8	NS 10	Weight	Article No.
	ST 300	ST 600	ST 900	ST 600	ST 1200	ST 800	ST 1000		
								[kg]	[grey]
T [mm]	905-1025	905-1025	905-1025	930-1050	930-1050	930-1050	930-1050	84	3301.35.11
	905-1475	905-1475	905-1475	930-1500	930-1500	930-1500	930-1500	92	3301.35.12
	905-1985	905-1765	905-1495	930-1790	930-1855	930-1520	930-1855	103	3301.35.13

Top section 600, load class D 400 – Order data



- load class D 400 according to EN 124
- frame from concrete, cover from cast iron
- clear opening Ø 600 mm
- cover loosely applied
- raising tube from polyethylene
- selectively with load distribution plate from concrete
Ø 1500 mm x 200 mm

Load dis- tribution plate	Raising tube length	NS 3	NS 3	NS 3	NS 6	NS 6	NS 8	NS 10	Weight	Article No.
		ST 300	ST 600	ST 900	ST 600	ST 1200	ST 800	ST 1000		
							[kg]	[grey]		
with	short	915-1035	915-1035	915-1035	940-1060	940-1060	940-1060	940-1060	814	3301.36.08
with	medium	915-1485	915-1485	915-1485	940-1510	940-1510	940-1510	940-1510	822	3301.36.09
with	long	915-1985	915-1765	915-1495	940-1790	940-1855	940-1520	940-1855	834	3301.36.10
without	short	915-1035	915-1035	915-1035	940-1060	940-1060	940-1060	940-1060	85	3301.37.08
without	medium	915-1485	915-1485	915-1485	940-1510	940-1510	940-1510	940-1510	93	3301.37.09
without	long	915-1985	915-1765	915-1495	940-1790	940-1855	940-1520	940-1855	105	3301.37.10

ACO Sludge Traps P-SD

with integrated top section



- For selected Nominal Sizes of sludge traps
- With integrated raising tube
- Load classes A, B or D
- No buoyancy protection needed if inlet invert does not exceed 800 mm



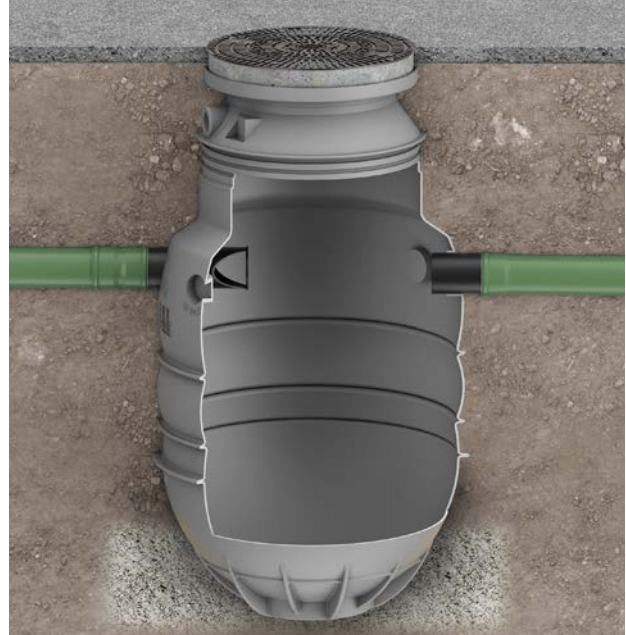
ACO Sludge Trap P-SD

Product information

Sludge trap of polyethylene for below ground installation

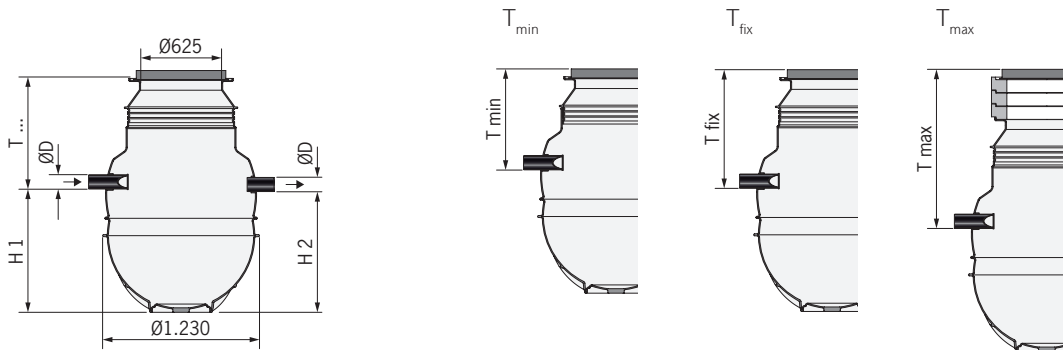
- inlet and outlet connection depending on size of sludge trap
- inlet and outlet parts of polyethylene
- different volumes/capacities available
- disposal and cleaning via cover
- with integrally formed raising tube for varying inlet heights
- optionally upgradable with concrete supporting rings 60, 80 and 100 mm up to inlet invert T_{max}

Note: Cover (accessory) is not included



Installation example shows ACO Sludge Trap P-SD for load class B125

Sludge Traps P-SD – Order data



40

Nominal size	Nominal width	Total capacity	OD	H1	H2	Class A/B			Weight	Article No.
						T _{min} * ¹	T _{fix} * ²	T _{max}		
		[l]	[mm]	[mm]	[mm]	[mm]	[mm]	[mm]	[kg]	[grey]
P 750	DN 100	730	110	960	940	840	975	1375	68	3900.40.11
P 1000	DN 150	1040	160	1260	1240	830	960	1330	71	3900.40.02
P 1000	DN 100	1010	110	1230	1210	855	985	1360	70	3900.40.12
P 1250	DN 150	1250	160	1470	1450	830	960	1330	77	3900.40.03
P 1250	DN 100	1270	110	1495	1475	855	985	1355	76	3900.40.13
P 1500	DN 150	1530	160	1740	1720	830	960	1260	86	3900.40.04

*¹ load class D does not have T_{min}

*² load class A15 and B125 only, for load class D, 270 mm have to be added

ACO Sludge Traps P

with separated top section



- For selected Nominal Sizes of sludge traps
- With integrated raising tube
- Load classes A/B or D
- No buoyancy protection needed for load class A/B when inlet invert does not exceed 500 mm
- No buoyancy protection needed for load class D

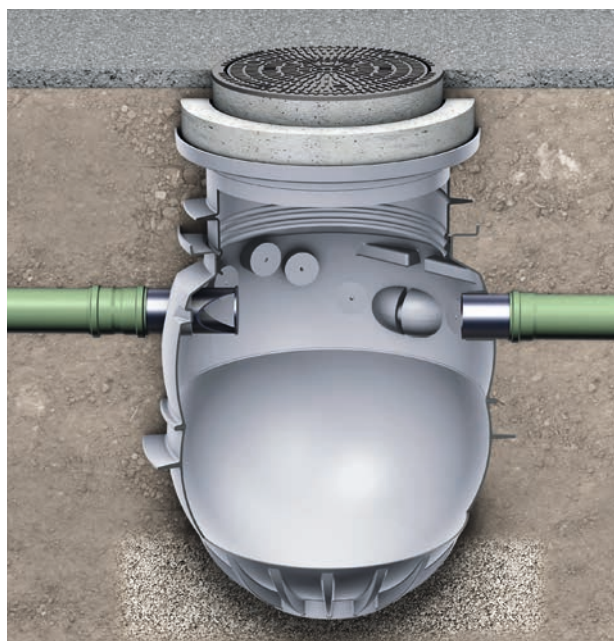


ACO Sludge Trap P

Product information

Sludge trap of polyethylene for below ground installation

- inlet and outlet connection according to outside diameter D depending on nominal size of separator
- inlet and outlet parts of polyethylene
- different volumes/capacities available

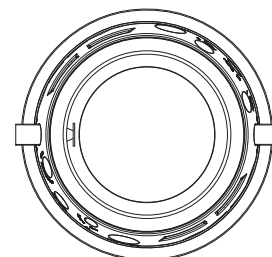
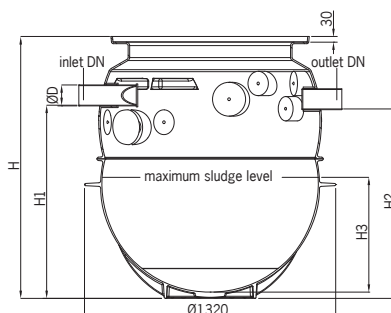


Installation example shows ACO Sludge Trap P 750 with a top section unit for load class B 125

Sludge Trap P – Order data

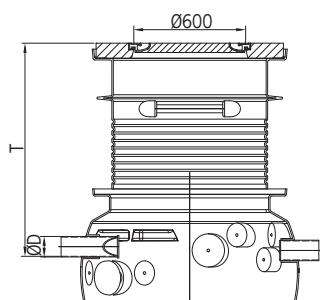
Accessories

- sampling pots and extension elements, page 39



Type	Nominal width	Total capacity	D	H	H1	H2	H3	Weight	Article No.
									[l]
P 750	DN 150	750	160	1375	990	970	540	59	3900.00.01
P 750	DN 100	780	110	1375	1015	995	560	59	3900.00.11
P 1000	DN 150	975	160	1595	1210	1190	680	75	3900.00.02
P 1000	DN 100	1000	110	1595	1235	1215	700	74	3900.00.12
P 1250	DN 150	1255	160	1865	1480	1460	830	75	3900.00.03
P 1250	DN 100	1280	110	1865	1505	1485	850	74	3900.00.13
P 1500	DN150	1530	160	2130	1745	1725	930	85	3900.00.04
P 1500	DN 100	1550	110	2130	1770	1750	950	84	3900.00.14

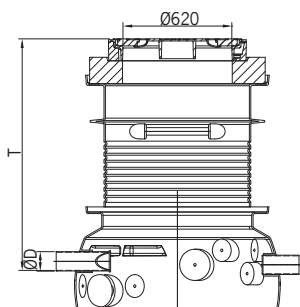
Top section 800, load class A 15 – Order data



- load class A 15 according to EN 124
- frame from concrete, cover from cast iron
- clear opening Ø 600 mm
- cover loosely applied
- raising tube from polyethylene (only included with top section 3301.14.01 and 3301.14.02)

	P 750 DN 100	P 750 DN 150	P 1000 DN 100	P 1000 DN 150	P 1250 DN 100	P 1250 DN 150	P 1500 DN 100	P 1500 DN 150	Weight	Article No.
									[kg]	[grey]
T	425	450	425	450	425	450	425	450	145	3301.14.00
[mm]	760-1040	785-1065	760-1040	785-1065	760-1040	785-1065	760-1040	785-1065	170	3301.14.01
	760-1985	785-2010	760-1765	785-1790	760-1495	785-1520	760-1830	785-1855	193	3301.14.02

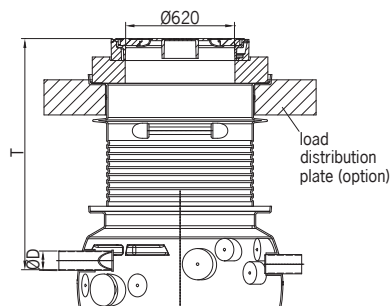
Top section 800, load class B 125 – Order data



- load class B 125 according to EN 124
- frame from concrete, SAKU cover from polyethylene
- clear opening Ø 600 mm
- cover loosely applied
- adapter plate from concrete Ø 1000 mm x 150 mm
- raising tube from polyethylene (only included with top section 3301.15.01 and 3301.15.02)

	P 750 DN 100	P 750 DN 150	P 1000 DN 100	P 1000 DN 150	P 1250 DN 100	P 1250 DN 150	P 1500 DN 100	P 1500 DN 150	Weight	Article No.
									[kg]	[grey]
T	600	625	600	625	600	625	600	625	282	3301.15.00
[mm]	935-1215	960-1240	935-1205	960-1240	935-1205	960-1240	935-1205	960-1240	307	3301.15.01
	935-1985	960-2010	935-1765	960-1790	935-1495	960-1520	935-1830	960-1855	330	3301.15.02

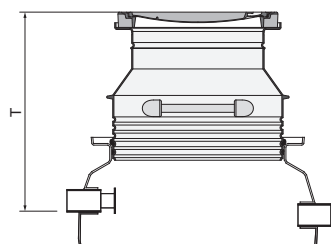
Top section 800, load class D 400 – Order data



- load class D 400 according to EN 124
- frame from concrete, cover from cast iron
- clear opening Ø 600 mm
- cover loosely applied
- adapter plate from concrete Ø 1000 mm x 150 mm
- raising tube from polyethylene
- selectively with load distribution plate from concrete Ø 1500 mm x 200 mm

	P 750 DN 100	P 750 DN 150	P 1000 DN 100	P 1000 DN 150	P 1250 DN 100	P 1250 DN 150	P 1500 DN 100	P 1500 DN 150	Weight	Article No.
									[kg]	[grey]
T [mm] without load distribution plate	935-1985	960-2010	935-1765	960-1790	935-1495	960-1520	935-1830	960-1855	330	3301.17.00
T [mm] with load distribution plate	935-1985	960-2010	935-1765	960-1790	935-1495	960-1520	935-1830	960-1855	1030	3301.16.00

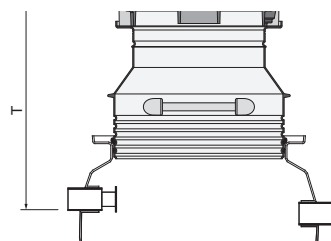
Top section 600, load class A 15 – Order data



- load class A 15 according to EN 124
- frame from concrete, cover from cast iron
- clear opening Ø 600 mm
- cover loosely applied
- raising tube from polyethylene

	P 750 DN 100	P 750 DN 150	P 1000 DN 100	P 1000 DN 150	P 1250 DN 100	P 1250 DN 150	P 1500 DN 100	P 1500 DN 150	Weight	Article No.
									[kg]	[grey]
T [mm]	870-990	895-1015	870-990	895-1015	870-990	895-1015	870-990	895-1015	96	3301.34.11
	870-1440	895-1465	870-1440	895-1465	870-1440	895-1465	870-1440	895-1465	104	3301.34.12
	870-1985	895-2010	870-1765	895-1790	870-1495	895-1520	870-1830	895-1855	115	3301.34.13

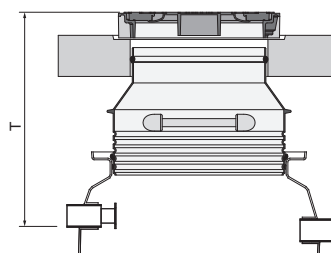
Top section 600, load class B 125 – Order data



- load class B 125 according to EN 124
- frame from concrete, SAKU cover from polyethylene
- clear opening Ø 600 mm
- cover loosely applied
- adapter plate from concrete Ø 1000 mm x 150 mm
- raising tube from polyethylene

	P 750 DN 100	P 750 DN 150	P 1000 DN 100	P 1000 DN 150	P 1250 DN 100	P 1250 DN 150	P 1500 DN 100	P 1500 DN 150	Weight	Article No.
									[kg]	[grey]
T [mm]	905-1025	930-1050	905-1025	930-1050	905-1025	930-1050	905-1025	930-1050	84	3301.35.11
	905-1475	930-1500	905-1475	930-1500	905-1475	930-1500	905-1475	930-1500	92	3301.35.12
	905-1985	930-2010	905-1765	930-1790	905-1495	930-1520	905-1830	930-1855	103	3301.35.13

Top section 600, load class D 400 – Order data













- load class D 400 according to EN 124
- frame from concrete, cover from cast iron
- clear opening Ø 600 mm
- cover loosely applied
- raising tube from polyethylene
- selectively with load distribution plate from concrete Ø 1500 mm x 200 mm




Load dis- tribution plate	Raising tube length	P 750 DN 100	P 750 DN 150	P 1000 DN 100	P 1000 DN 150	P 1250 DN 100	P 1250 DN 150	P 1500 DN 100	P 1500 DN 150	Weight	Article No.
										[kg]	[grey]
with	short	915-1035	940-1060	915-1035	940-1060	915-1035	940-1060	915-1035	940-1060	814	3301.36.08
with	medium	915-1485	940-1510	915-1485	940-1510	915-1485	940-1510	915-1485	940-1510	822	3301.36.09
with	long	915-1985	940-2010	915-1765	940-1790	915-1495	940-1520	915-1830	940-1855	834	3301.36.10
without	short	915-1035	940-1060	915-1035	940-1060	915-1035	940-1060	915-1035	940-1060	85	3301.37.08
without	medium	915-1485	940-1510	915-1485	940-1510	915-1485	940-1510	915-1485	940-1510	93	3301.37.09
without	long	915-1985	940-2010	915-1765	940-1790	915-1495	940-1520	915-1830	940-1855	105	3301.37.10







Accessories

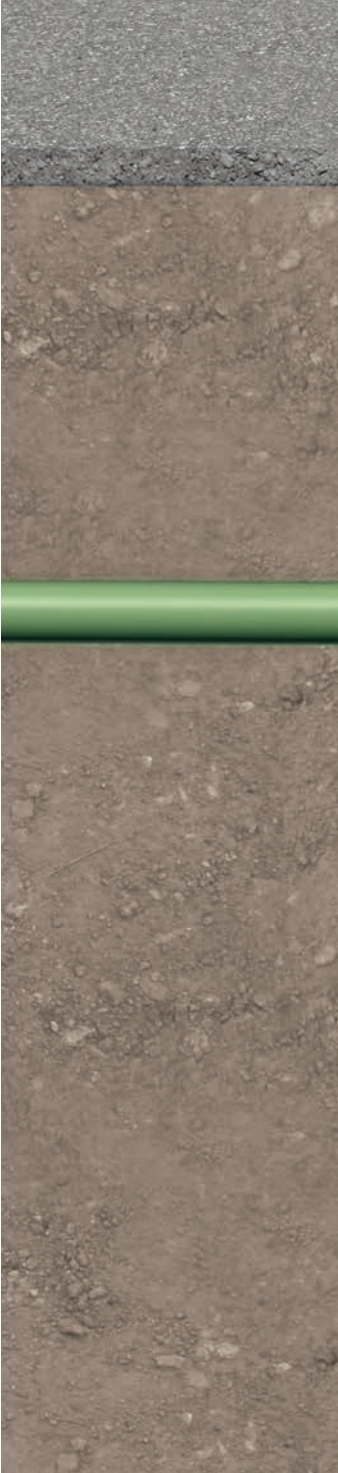
	Product description	suitable for	Model	Article No.
	<ul style="list-style-type: none"> ■ Cover load class A according to EN 124 ■ Cover from concrete, frame from cast iron, odour-proof, unlocked 	<ul style="list-style-type: none"> ■ Lipumax P-SD 	–	0155.26.36
	<ul style="list-style-type: none"> ■ Cover load class B according to EN 124 ■ Cover and frame from concrete and cast iron, odour-proof, locked 	<ul style="list-style-type: none"> ■ Lipumax P-SD 	–	0150.72.72 (Haustechnik) 701739 (Tabor)
	<ul style="list-style-type: none"> ■ Cover load class D according to EN 124 ■ Cover from cast iron, odour-proof, locked 	<ul style="list-style-type: none"> ■ Lipumax-P-SD 		0150.69.52
	<ul style="list-style-type: none"> ■ Cover load class D according to EN 124 ■ Cover and frame from concrete and cast iron, odour-proof 	<ul style="list-style-type: none"> ■ Lipumax P-SD 		701738 (Tabor)
	<ul style="list-style-type: none"> ■ Cover load class A according to EN 124 ■ Cover from concrete, frame from cast iron, unlocked 	<ul style="list-style-type: none"> ■ Oleopator/Oleopass P-SD ■ Sludge Trap P-SD 	–	0150.65.36
	<ul style="list-style-type: none"> ■ Cover load class B according to EN 124 ■ Cover and frame from concrete and cast iron, unlocked 	<ul style="list-style-type: none"> ■ Oleopator/Oleopass P-SD ■ Sludge Trap P-SD 	–	0150.72.71 (Haustechnik) 701740 (Tabor)
	<ul style="list-style-type: none"> ■ Cover load class D according to EN 124 ■ Cover from cast iron, unlocked 	<ul style="list-style-type: none"> ■ Oleopator/Oleopass-P-SD ■ Sludge Trap P-SD 		0150.69.51
	<ul style="list-style-type: none"> ■ Cover load class D according to EN 124 ■ Cover and frame from concrete and cast iron, unlocked 	<ul style="list-style-type: none"> ■ Oleopator/Oleopass P-SD ■ Sludge Trap P-SD 		701737 (Tabor)

	Product description	suitable for	Model	Article No.
	<ul style="list-style-type: none"> ■ Concrete supporting rings for increasing inlet invert with separators of all types 	<ul style="list-style-type: none"> ■ All variations 	ARV 625 x 60 ARV 625 x 80 ARV 625 x 100	8700.20.00 (Haustechnik) 742011 (Tabor) 8700.20.10 (Haustechnik) 742012 (Tabor) 8700.20.20 (Haustechnik) 742013 (Tabor)
	<ul style="list-style-type: none"> ■ Sampling equipment for grease separators/light liquid separators/starch separators for below ground installation. Sampling equipment consisting of manual pump and suction coupling, connecting hose and suction coupling and bolt connection ■ Suitable for inlet invert maximum T = 3,000 mm 	<ul style="list-style-type: none"> ■ All variations 	–	8800.00.10 (Haustechnik) 701246 (Tabor)
	<ul style="list-style-type: none"> ■ Combination ring between shaft and raising tube 	<ul style="list-style-type: none"> ■ Lipumax P-SD ■ Oleopator/Oleopass P-SD ■ Sludge Trap P-SD 	–	0150.72.63
	<ul style="list-style-type: none"> ■ Flat seal between cover and separator 	<ul style="list-style-type: none"> ■ Oleopator/Oleopass P-SD (optional) ■ Sludge Trap P-SD (optional) ■ Tip: Lipumax P-SD inclusive 	–	0150.66.83
	<ul style="list-style-type: none"> ■ Adapter ring from plastic for load class D 	<ul style="list-style-type: none"> ■ Lipumax-P-SD ■ Oleopator/Oleopass-P-SD series ■ Sludge Trap P-SD 		0150.73.62 (Haustechnik) 418879 (Tabor)
	<ul style="list-style-type: none"> ■ Load distribution plate from concrete for load class D 	<ul style="list-style-type: none"> ■ Lipumax-P-SD ■ Oleopator/Oleopass-P-SD series ■ Sludge Trap P-SD 		0178.07.67 (Haustechnik) M01456 (Tabor)

	Product description	suitable for	Model	Article No.
	<ul style="list-style-type: none"> ■ Sampling shaft ■ From polyethylene, diameter 450 mm ■ For below ground installations, downstream grease separators/starch separators ■ With cast iron/concrete cover for load class B 125 ■ Odour proof 	<ul style="list-style-type: none"> ■ All variations 	DN 100, with 160 mm gradient	3300.13.10
			DN 100, with 30 mm gradient	3300.13.11
			DN 150, with 160 mm gradient	3300.13.20
			DN 150, with 75 mm gradient	3300.13.21
	<ul style="list-style-type: none"> ■ Sampling shaft ■ with load distribution plate ■ From polyethylene, diameter 450 mm ■ For below ground installations, downstream grease separators/starch separators ■ With cast iron/concrete cover for load class D 400 ■ Odour proof 	<ul style="list-style-type: none"> ■ All variations 	DN 100, with 160 mm gradient	3300.13.15
			DN 100, with 30 mm gradient	3300.13.16
			DN 150, with 160 mm gradient	3300.13.25
			DN 150, with 75 mm gradient	3300.13.26
	<ul style="list-style-type: none"> ■ Extension element ■ From polyethylene ■ For install aforementioned sampling shaft at a deeper position ■ Extension height 100 to 650 mm ■ Can be shortened at 45 mm intervals by cutting at the cutting marks 	<ul style="list-style-type: none"> ■ All variations 	—	3300.13.00
	<ul style="list-style-type: none"> ■ Disposal shaft ■ Made from plastic ■ Material polyethylene ■ With BEGU-Cover <ul style="list-style-type: none"> □ clear opening: 450 mm □ load class: B 125 ■ Inscription "Abscheiderentleerung/Separator Discharge" ■ Weight: 120 kg 	<ul style="list-style-type: none"> ■ Lipumax P-D, -DM, -DA ■ Fapumax P-DA 	—	3300.30.00
	<ul style="list-style-type: none"> ■ Disposal shaft with load distribution plate ■ Protection against upwelling ■ Made from plastic ■ Material polyethylene ■ With BEGU-Cover <ul style="list-style-type: none"> □ clear opening: 450 mm □ load class: D 400 ■ Inscription "Abscheiderentleerung/Separator Discharge" ■ Weight: 520 kg 	<ul style="list-style-type: none"> ■ Lipumax P-D, -DM, -DA ■ Fapumax P-DA 	—	3300.30.01

	Product description	suitable for	Model	Article No.
	<ul style="list-style-type: none"> ■ Extension ■ Used with disposal shaft ■ Made from plastic ■ Material polyethylene ■ For fitting on upstream sampling shaft ■ For deep installations ■ Structure height: 100 – 650 mm (can be reduced to 45 mm by cutting off at cutting marks) ■ Weight: 12 kg 	<ul style="list-style-type: none"> ■ Lipumax P-D, -DM, -DA ■ Fapumax P-DA 	<p style="text-align: center;">—</p>	<p style="text-align: center;">3301.31.00</p>
	<ul style="list-style-type: none"> ■ Grease level sensor ■ Measuring device for grease layer thickness for grease separators for below ground installation. Suitable for liquid and hardening fats. Device with two dry contacts for report of filling status 50 % and 80 % to Building Monitoring System ■ With heated sensor head for save operation electrical connection: 230 V AC 50 Hz/12 W 	<ul style="list-style-type: none"> ■ Lipumax P, -P-SD 	<p style="text-align: center;">cable length:</p> <p style="text-align: center;">10 m</p> <p style="text-align: center;">20 m</p> <p style="text-align: center;">30 m</p>	<p style="text-align: center;">3300.11.70</p> <p style="text-align: center;">3300.11.71</p> <p style="text-align: center;">3300.11.72</p>
	<ul style="list-style-type: none"> ■ Sampling equipment ■ To determine the disposal intervals of grease separators n Suitable for liquid and/or harden fats n Delineation with colour-touchpanel ■ Continuous measure in percent n With integrated SD-card (4GB) for recording of the measuring process ■ With headed sounding stick (temperature is adjustable) to increase the operation safety ■ Three free of potential contacts for outoput of pre-alarm (adjustable), fullalarm (adjustable) and error ■ Measuring stick with adjusting scale n Delineation with plug-in cable connection 3 m ■ Service voltage: 100 240 V AC 50/60 Hz, 2 A ■ Power: ca. 43 W ■ Weight: 6.5 kg 	<ul style="list-style-type: none"> ■ Lipumax P, -P-SD 	<p style="text-align: center;">cable length:</p> <p style="text-align: center;">10 m</p> <p style="text-align: center;">20 m</p> <p style="text-align: center;">30 m</p>	<p style="text-align: center;">3300.12.70</p> <p style="text-align: center;">3300.12.71</p> <p style="text-align: center;">3300.12.72</p>

	Product description	suitable for	Model	Article No.
	<ul style="list-style-type: none"> High-pressure hose For connection between high-pressure pump (installed inside a building) and spray head of grease separator/starch separator (Lipumax-P-DM/DA and Fapumax-P-DA series) 	<ul style="list-style-type: none"> Lipumax P-DM, -DA Fapumax P-DA 	length: 10 m 20 m 30 m	0150.33.62 0150.33.63 0150.33.64
	<ul style="list-style-type: none"> Connection box From stainless steel material grade 316 For wall-mounted installation of disposal connection DN 65 W x H x D = 370 x 330 x 250 mm 	<ul style="list-style-type: none"> Lipumax P-D, -DM, -DA Fapumax P-DA 	–	7601.80.20
	<ul style="list-style-type: none"> Flush-mounted frame From stainless steel Material grade 304 W x H x D = 421 x 381 x 25 mm Suitable for connection box 7601.80.20 	<ul style="list-style-type: none"> Lipumax P-D, -DM, -DA Fapumax P-DA 	–	7601.80.21
	<ul style="list-style-type: none"> Alarm device For light oil separators P series, enables combined or separated control of oil, sludge and liquid level electrical connection: <ul style="list-style-type: none"> 230 V/50–60 Hz IP 67 Cable connection: 5 m Cable extensions: <ul style="list-style-type: none"> 1 cable, 20 m 	<ul style="list-style-type: none"> Oleopator/Oleopass P 	oil and liquid level control	6751.65.51 6752.00.03
	<ul style="list-style-type: none"> Alarm device For light oil separators P-SD series, enables combined or separated control of oil, sludge and liquid level electrical connection: <ul style="list-style-type: none"> 230 V/50–60 Hz IP 67 Cable connection: 5 m Cable extensions: <ul style="list-style-type: none"> 1 cable, 20 m 	<ul style="list-style-type: none"> Oleopator/Oleopass P-SD 	oil and liquid level control	6751.65.52 6752.00.03
	<ul style="list-style-type: none"> Sludge level sensor For all alarm devices 	<ul style="list-style-type: none"> Oleopator/Oleopass P, -P-SD 	–	6752.10.00
	<ul style="list-style-type: none"> DN 100 Sealing ring for ventilation For all grease and light oil separators and sludge traps P series 	<ul style="list-style-type: none"> Lipumax P Oleopator/Oleopass P Fapumax P 	–	0150.34.32



Add here your local address

**ACO. creating
the future of drainage**

